



# PARTS MANUAL

## 660 80796 - XXX XXXXX

### 00. MAINTENANCE / FILTERS SET



FIGURE	REFERENCE	DENOMINATION	AMOUNT
001.1	DI01174416	SPIN-ON OIL FILTER	1
001.2	DI04131596	FUEL FILTER CARTRIDGE	1
001.3	DI04130241	FUEL FILTER	1
001.4	46.02311.00	MAIN FILTER ELEMENT	1
001.5	46.02312.00	SECURITY FILTER ELEMENT	1
001.6	60.20100.00	FILTER ELEMENT	1

**660 80796 - XXX XXXXX****02. ENGINE (01)**

FIGURE	REFERENCE	DENOMINATION	AMOUNT
001	66.02101.00	DEUTZ TD 3.6 L4 ENGINE	1
002	64.02012.00	ECU DEUTZ TD 3.6 L4	1
003	DZ04123938	FUEL FILTER	1
004	DI04131596	FUEL FILTER CARTRIDGE	1
005	DZ01183866	GENERATOR	1
006	DI04124730	CLAMPING STRAP	1

007	DI04123559	V-BELT	1
008	DI04124485	V-GROOVED PULLEY	1
009	DI04124511	FAN SUPPORT	1
010	DI04124398	TENSIONING PULLEY	1
011	DI01180913	NARROW V-BELT	1
012	DI04124511	FAN SUPPORT	1
013	DZ04216031	RELAY	1
014	DI04125382	RETAINING PLATE	1
015	DI04219842	ELECTRIC LINE	1
016	DZ04125685	STARTER	1
017	DI01148552	HEXAGON BOLT	2
018	DI04211657	CABLE HARNESS	1
019	DI04124902	FUEL SUPPLY PUMP	1
020	DZ04123591	FUEL PRE-FILTER DEUTZ	1
021	DI01174416	SPIN-ON OIL FILTER	1
026	DI04115778	GLOW PLUG	4
027	DI04125068	CONNECTING RAIL	1
028	DI04122923	CLIP	2

**COMMENTS**

---

Todas las referencias en el despiece del motor

# 660 80796 - XXX XXXXX

## 02. ENGINE (01)

CHASSIS: 86724

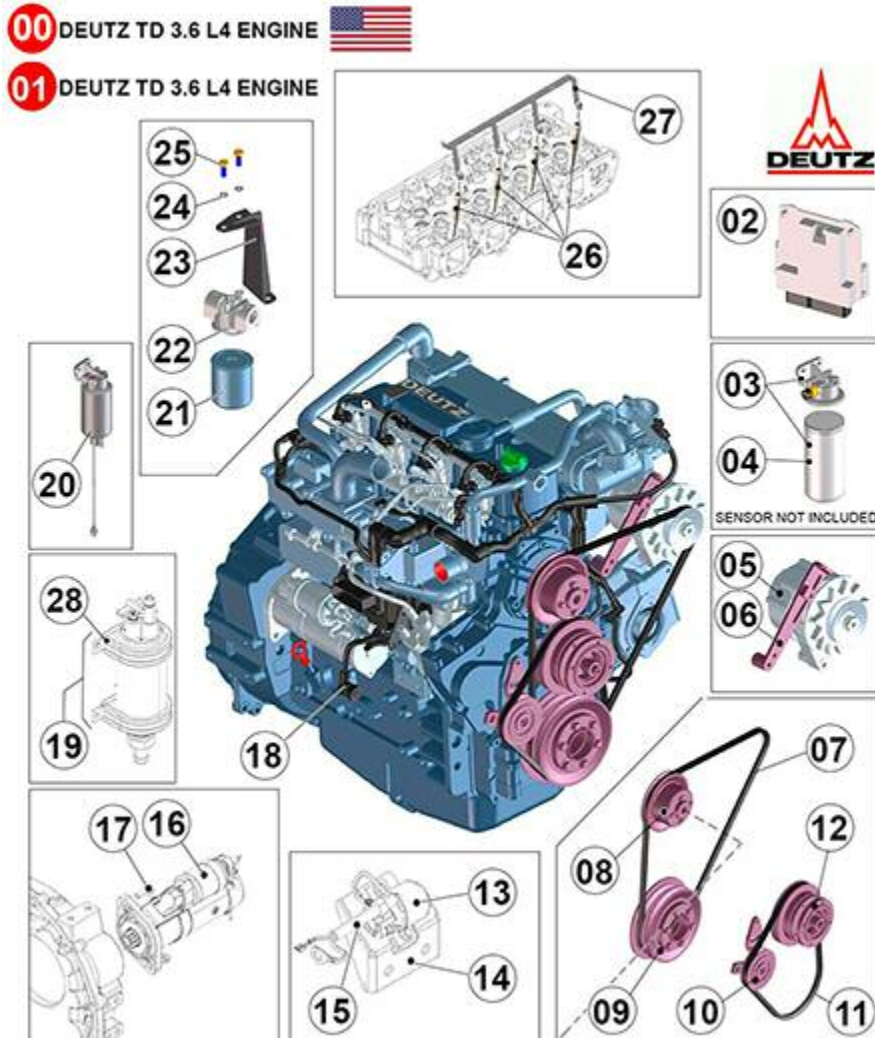


FIGURE	REFERENCE	DENOMINATION	AMOUNT
000	66.02105.00	DEUTZ TD 3.6 L4 ENGINE (NOT FOR EU)	1
001	66.02101.00	DEUTZ TD 3.6 L4 ENGINE	1
002	64.02012.00	ECU DEUTZ TD 3.6 L4	1
003	DZ04123938	FUEL FILTER	1
004	DI04131596	FUEL FILTER CARTRIDGE	1
005	DZ01183866	GENERATOR	1
006	DI04124730	CLAMPING STRAP	1
007	DI04123559	V-BELT	1
008	DI04124485	V-GROOVED PULLEY	1
009	DI04124511	FAN SUPPORT	1
010	DI04124398	TENSIONING PULLEY	1
011	DI01180913	NARROW V-BELT	1

012	DI04124511	FAN SUPPORT	1
013	DZ04216031	RELAY	1
014	DI04125382	RETAINING PLATE	1
015	DI04219842	ELECTRIC LINE	1
016	DZ04125685	STARTER	1
017	DI01148552	HEXAGON BOLT	2
018	DI04211657	CABLE HARNESS	1
019	DI04124902	FUEL SUPPLY PUMP	1
020	DZ04123591	FUEL PRE-FILTER DEUTZ	1
021	DI01174416	SPIN-ON OIL FILTER	1
026	DI04115778	GLOW PLUG	4
027	DI04125068	CONNECTING RAIL	1
028	DI04122923	CLIP	2

## 660 80796 - XXX XXXXX

### 02. ENGINE / RADIATOR

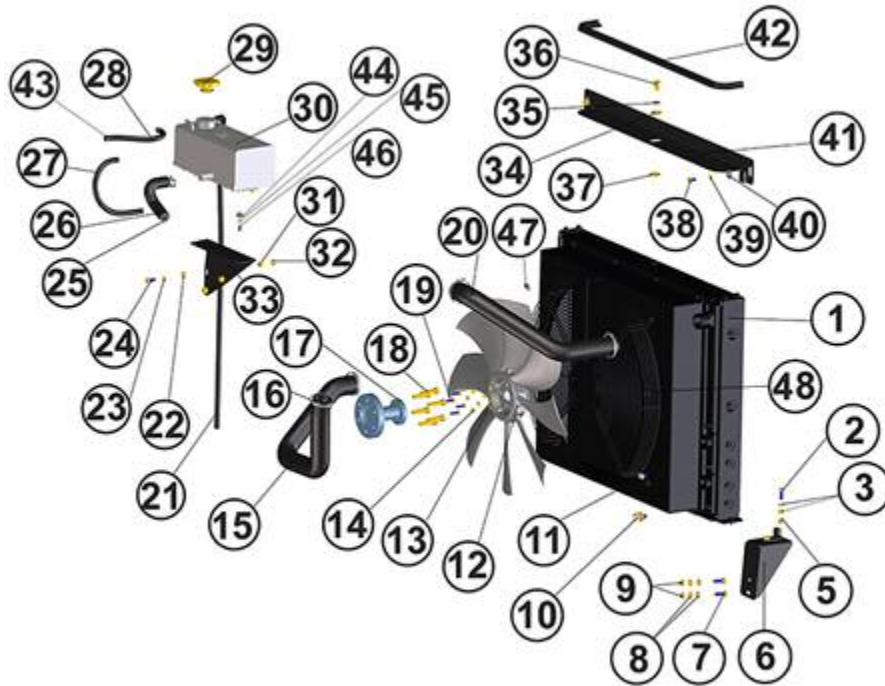


FIGURE	REFERENCE	DENOMINATION	AMOUNT
001	66.02501.00	RADIATOR	1
002	603.08025.86	SCREW DIN933 M8x25	4
003	101.08000.66	WASHER DIN125 D8	8
005	711.08000.66	NUT DIN982 M8	4
006	66.02505.00	FIXING SUPPORT	2
007	603.08030.86	SCREW DIN933 M8X30	4
008	101.08000.66	WASHER DIN125 D8	8
009	711.08000.66	NUT DIN982 M8	4
010	48.11015.00	TEMPERATURE SENSOR (HYDRAULIC OIL)	1
011	66.10710.00	STOPPER M12X150 HEXAGON	1
012	66.02511.00	FAN D530 8P SOPL 35°	1
013	104.06000.00	WASHER DIN7980 D6	4
014	101.06000.66	WASHER DIN125 D6	4
015	66.02523.00	TUBE RAD. ENG. D52/42	1
016	912.40060.66	CLAMP D40-60	4
017	66.02503.00	FAN SUPPORT	1

018	604.10045.86	SCREW DIN931	5
019	603.06025.86	SCREW DIN933 M6x25	4
020	66.02522.00	TUBE ENG. RAD. D52/42	1
021	469.03014.00	HOSE L/P MAT. 8x14	1
022	101.08000.66	WASHER DIN125 D8	3
023	104.08000.00	WASHER DIN7980 D8	3
024	603.08020.86	SCREW DIN933 M8x20	3
025	912.20032.00	CLAMP	2
026	66.02525.00	RUBBER TUBE D22	1
027	469.03014.00	HOSE L/P MAT. 8x14	1
028	469.03014.00	HOSE L/P MAT. 8x14	1
029	32.02151.00	REFRIGERANT CAP 1BAR	1
030	66.02530.00	EXPANSION TANK	1
031	711.08000.66	NUT DIN982 M8	3
032	101.08000.66	WASHER DIN125 D8	3
033	66.02506.00	SUPPORT FIXATION EXPANSION VESSEL	1
034	112.10000.66	WASHER DIN9021 D10	1
035	101.10000.66	WASHER DIN125 D10	1
036	603.10015.86	SCREW DIN933	1
037	112.10000.66	WASHER DIN9021 D10	1

## 660 80796 - XXX XXXXX

### 02. ENGINE / RADIATOR

FIGURE	REFERENCE	DENOMINATION	AMOUNT
038	603.08015.86	SCREW DIN933 M8x15	4
039	104.08000.00	WASHER DIN7980 D8	4
040	112.08000.66	WASHER DIN9021 D8	4
041	66.02507.00	SUPPORT	2
042	472.00410.00	RUBBER PROFILE 22X22	2
043	912.08016.66	CLAMP DIN3017	5
044	727.06004.86	CAGED NUT M6x4	4
045	101.06000.66	WASHER DIN125 D6	4
046	603.06015.86	SCREW DIN933 M6x15	4
047	66.02514.00	BUSH	4
048	66.02515.00	GRILLE RADIATOR	1



## 660 80796 - XXX XXXXX

### 02. ENGINE / RADIATOR (01)

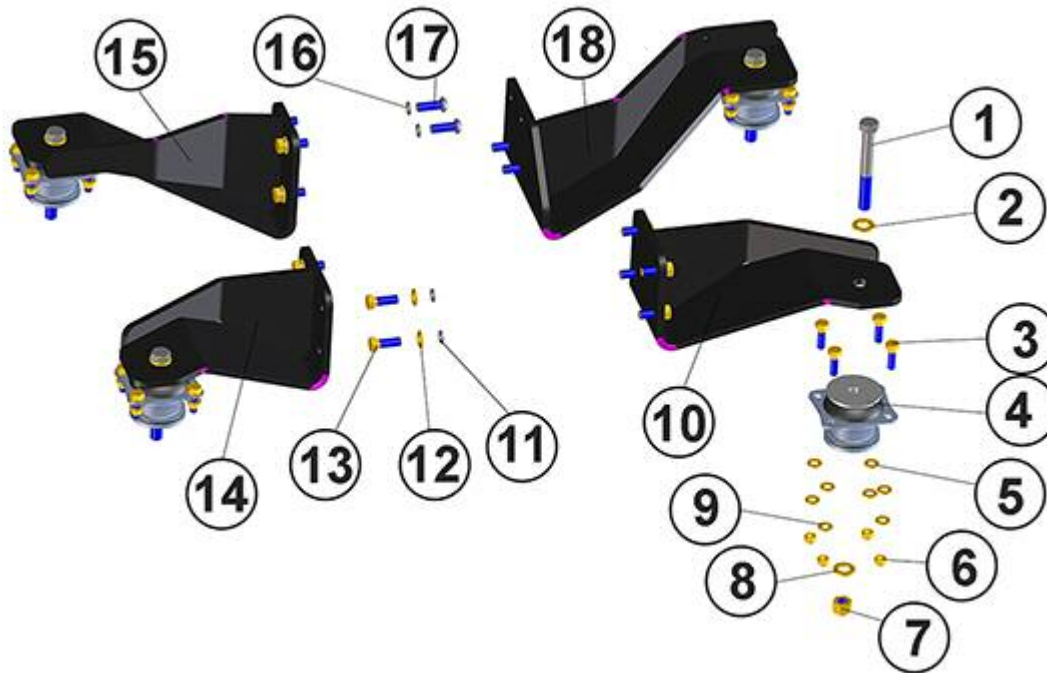


FIGURE	REFERENCE	DENOMINATION	AMOUNT
001	604.16130.86	SCREW	4
002	101.16000.66	WASHER DIN125 D16	4
003	604.10035.86	SCREW DIN931	16
004	66.02605.00	SHOCK ABSORBER	4
005	101.10000.66	WASHER DIN125 D10	8
006	711.10000.66	SHOCK ABSORBER	8
007	711.16000.66	NUT DIN982 M16 8.8 K	4
008	101.16000.66	WASHER DIN125 D16	4
009	101.10000.66	WASHER DIN125 D10	16
010	66.02603.00	FRONT LEFT ENGINE SUPPORT	1
011	104.12000.00	WASHER DIN7980 D12	12
012	101.12000.66	WASHER DIN125 D12	12
013	604.12035.86	SCREW DIN931 M12x35	12
014	66.02602.00	RIGHT FRONT MOTOR SUPPORT	1
015	66.02601.00	REAR ENGINE REAR SUPPORT	1
016	104.12000.00	WASHER DIN7980 D12	4
017	630.12025.87	SCREW ISO7380 M12X25	4
018	66.02600.00	LEFT REAR ENGINE SUPPORT	1

## 660 80796 - XXX XXXXX

### 02. ENGINE / RADIATOR (01)

CHASSIS: 86477

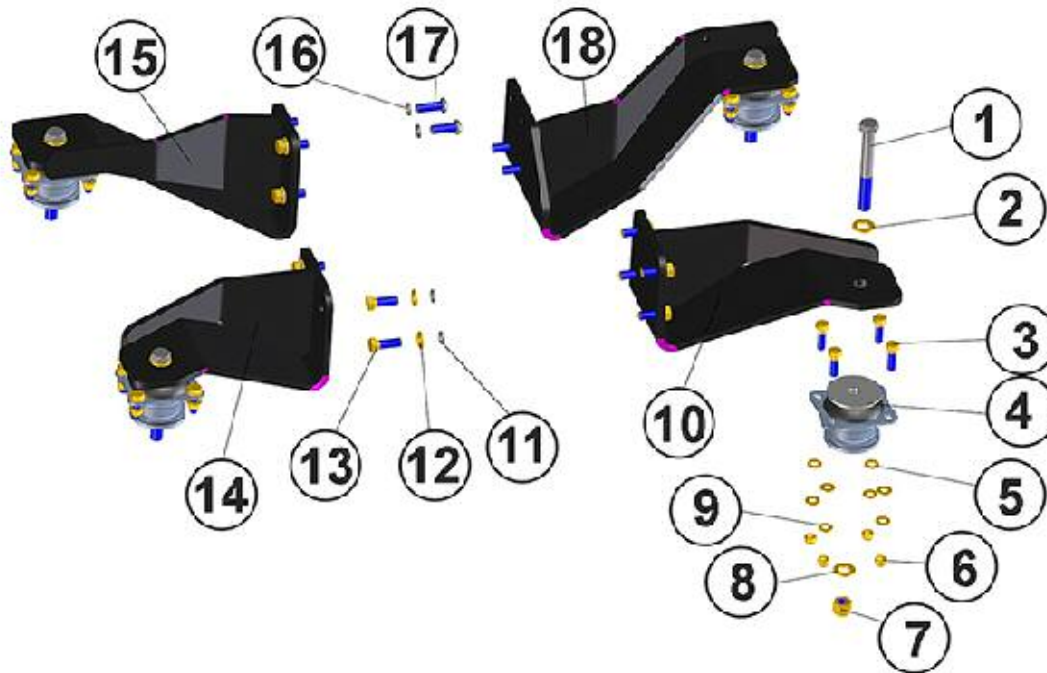


FIGURE	REFERENCE	DENOMINATION	AMOUNT
001	604.16130.86	SCREW	4
002	101.16000.66	WASHER DIN125 D16	4
003	604.10035.86	SCREW DIN931	16
004	66.02604.00	SHOCK ABSORBER	4
005	101.10000.66	WASHER DIN125 D10	8
006	711.10000.66	SHOCK ABSORBER	8
007	711.16000.66	NUT DIN982 M16 8.8 K	4
008	101.16000.66	WASHER DIN125 D16	4
009	101.10000.66	WASHER DIN125 D10	16
010	66.02603.00	FRONT LEFT ENGINE SUPPORT	1
011	104.12000.00	WASHER DIN7980 D12	12
012	101.12000.66	WASHER DIN125 D12	12
013	604.12035.86	SCREW DIN931 M12x35	12
014	66.02602.00	RIGHT FRONT MOTOR SUPPORT	1
015	66.02601.00	REAR ENGINE REAR SUPPORT	1
016	104.12000.00	WASHER DIN7980 D12	4
017	630.12025.87	SCREW ISO7380 M12X25	4
018	66.02600.00	LEFT REAR ENGINE SUPPORT	1

**COMMENTS**

---

CAMBIO DE AMORTIGUADOR: Se tienen que cambiar los 4 a la vez?

## 660 80796 - XXX XXXXX

### 02. ENGINE / FUEL TANK

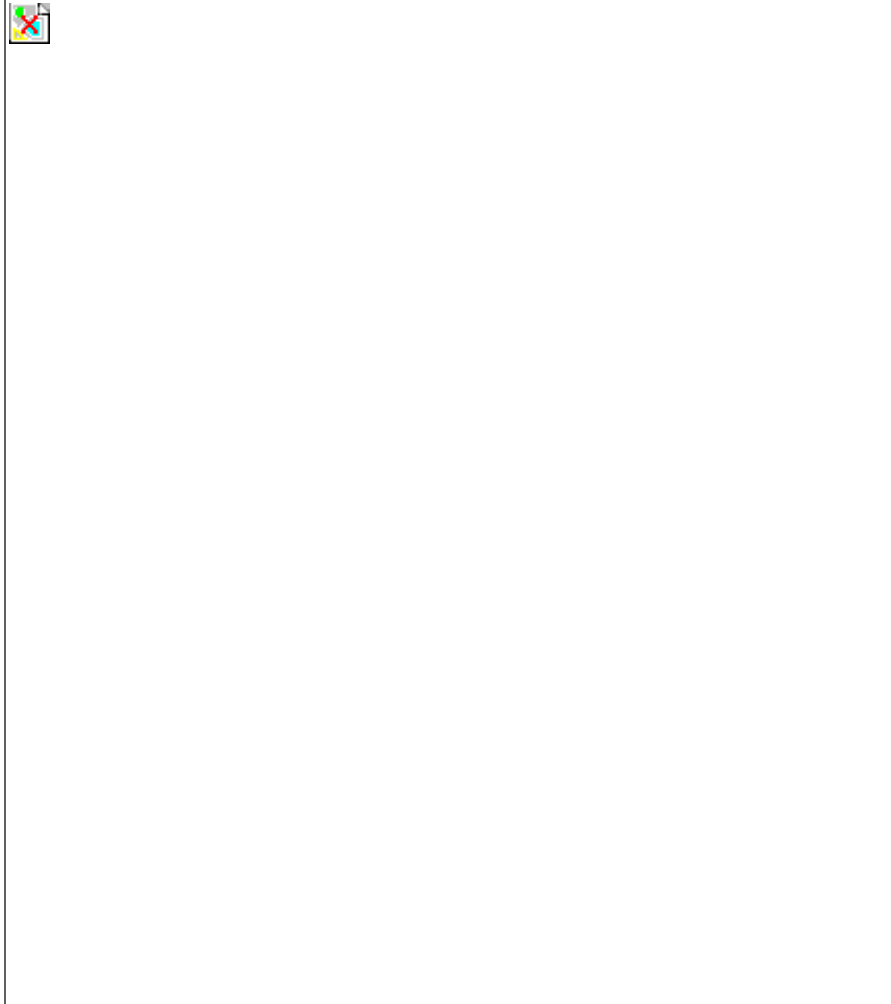


FIGURE	REFERENCE	DENOMINATION	AMOUNT
001	66.02040.00	TANK 69L GASOIL (9005)	1
002	30.02044.00	LEVEL 500MM DIESEL	1
003	101.10000.66	WASHER DIN125 D10	6
004	104.10000.00	WASHER DIN7980 D10	4
005	604.10030.86	SCREW DIN931	2
006	15.01524.01	CAP WITH LOCK 40X72	1
007	104.04000.00	WASHER DIN7980 D4	6
008	615.04012.66	SCREW M4x12 DIN84	6
009	45.04106.00	NIPPLE O/TB	1
010	28.00341.00	METALLIC GASKET BUNA D1/4	2
011	28.00340.00	SIMPLE SCREW FITTING 1/4 Gx26	1
012	948.01708.00	FLANGE D17	7
013	469.25015.00	TUBE MAT. B/P 10x15	2

014	830.03006.00	CLAMP LOOP	1
015	45.01526.00	PREFILTER FUEL/HYDRAULIC	1
016	948.01408.00	CLAMP Ø14	3
017	469.01017.00	TUBE MAT.	2
018	603.10045.86	BOLT DIN933 M10x45	2
019	66.02401.00	SUPPORT GASOIL DEUTZ (7022)	2
020	20.10505.00	BUNA METAL SEAL M16	2
021	64.10130.00	TANG FITTING M16x1.5-DN10	1
022	66.10130.00	FITTING M16x1.5 -DN13	1
023	603.10030.86	SCREW DIN933	2
024	104.05000.00	WASHER DIN7980 D5	4
025	603.05015.86	SCREW DIN933	4
026	469.03519.00	HOSE B/P 12X19	2
027	603.10025.86	SCREW DIN933 M10x25	2
028	112.10000.66	WASHER DIN9021 D10	2

## 660 80796 - XXX XXXXX

### 02. AIR FILTER



FIGURE	REFERENCE	DENOMINATION	AMOUNT
001	66.02304.00	Admission tube D70xD80	1
002	912.90110.66	HOSE CLAMP Ø90-110	2
003	46.02038.01	AIR FILTER	1
004	603.08030.86	SCREW DIN933 M8X30	2
005	101.08000.66	WASHER DIN125 D8	2
006	46.02038.01	AIR FILTER	1
007	66.02303.00	AIR FILTER SUPPORT	1
008	101.08000.66	WASHER DIN125 D8	2
009	104.08000.00	WASHER DIN7980 D8	2
010	603.08030.86	SCREW DIN933 M8X30	2
011	711.08000.66	NUT DIN982 M8	2
012	101.08000.66	WASHER DIN125 D8	2
013	46.02310.00	HOSE CLAMP FILTER	1

014	64.11042.00	INDICATOR FILTER AIR 50 mbar	1
015	46.02038.01	AIR FILTER	1
016	912.90110.66	HOSE CLAMP Ø90-110	1
017	46.02038.01	AIR FILTER	1

## 660 80796 - XXX XXXXX

### 02. ENGINE / EXHAUST

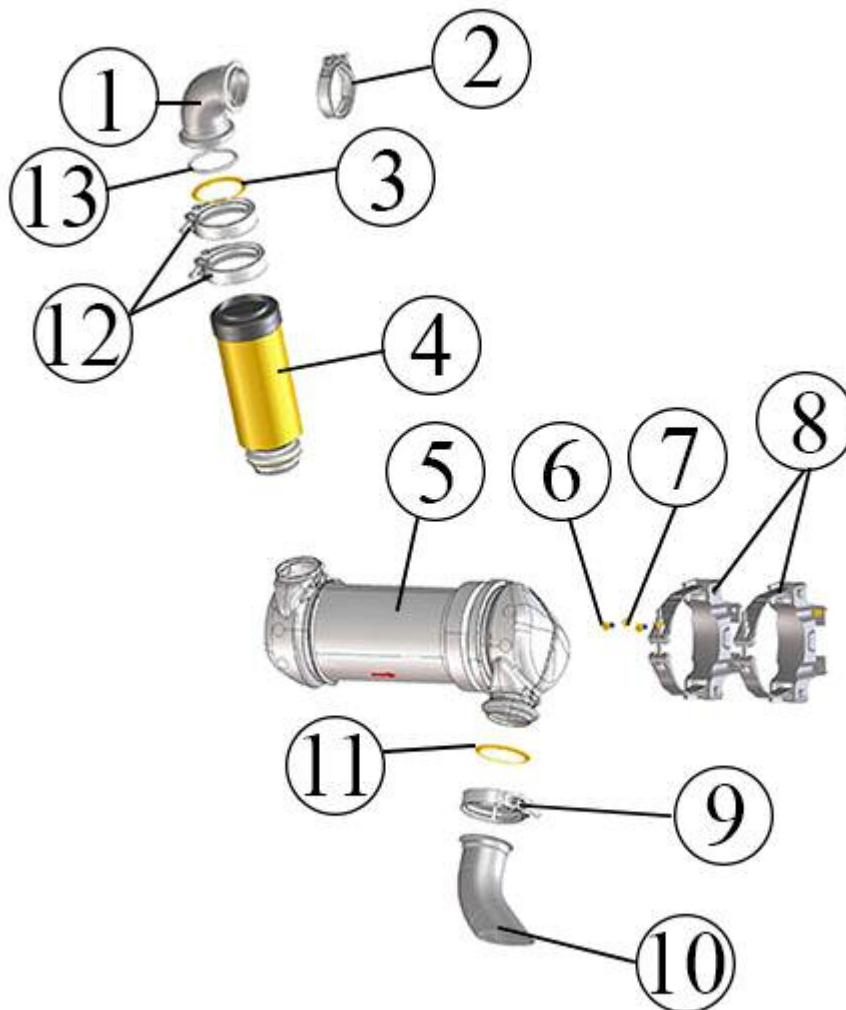


FIGURE	REFERENCE	DENOMINATION	AMOUNT
001	64.02033.00	EXHAUST PIPE C90 DEUTZ TD 3.6	1
002	64.02036.00	SKIP JOINT ESC. DEUTZ TD	1
003	64.02035.00	EXHAUST MOTOR JOINT DEUTZ TD 3.6 L4	1
004	64.02032.00	EXHAUST PIPE DEUTZ TD 3.6	1
005	64.02030.00	FILTER DOC DEUTZ TD 3.6 L4	1
006	603.08020.86	SCREW DIN933 M8x20	4
007	104.08000.00	WASHER DIN7980 D8	4
008	64.02031.00	SUPPORT DOC DEUTZ TD 3.6	2
009	64.02034.00	EXHAUST CLAMP DEUTZ TD 3.6 L4	1
010	66.02200.00	EXHAUST PIPE	1
011	64.02035.00	EXHAUST MOTOR JOINT DEUTZ TD 3.6 L4	1
012	64.02034.00	EXHAUST CLAMP DEUTZ TD 3.6 L4	2



**660 80796 - XXX XXXXX****02. ENGINE / FUEL FILTER**

<b>FIGURE</b>	<b>REFERENCE</b>	<b>DENOMINATION</b>	<b>AMOUNT</b>
001	DZ04123591	FUEL PRE-FILTER DEUTZ	1
002	DI04130241	FUEL FILTER	1
003	DI04504704	SENSOR CABLE	1
004	DZ04123938	FUEL FILTER	1
005	DI04131596	FUEL FILTER CARTRIDGE	1
006	DZ04213842	PRESSURE SENSOR	1
007	DI04901934	PLUG	1

**660 80796 - XXX XXXXX**  
**03. TRANSMISSION / FIXED FRONT AXLE**

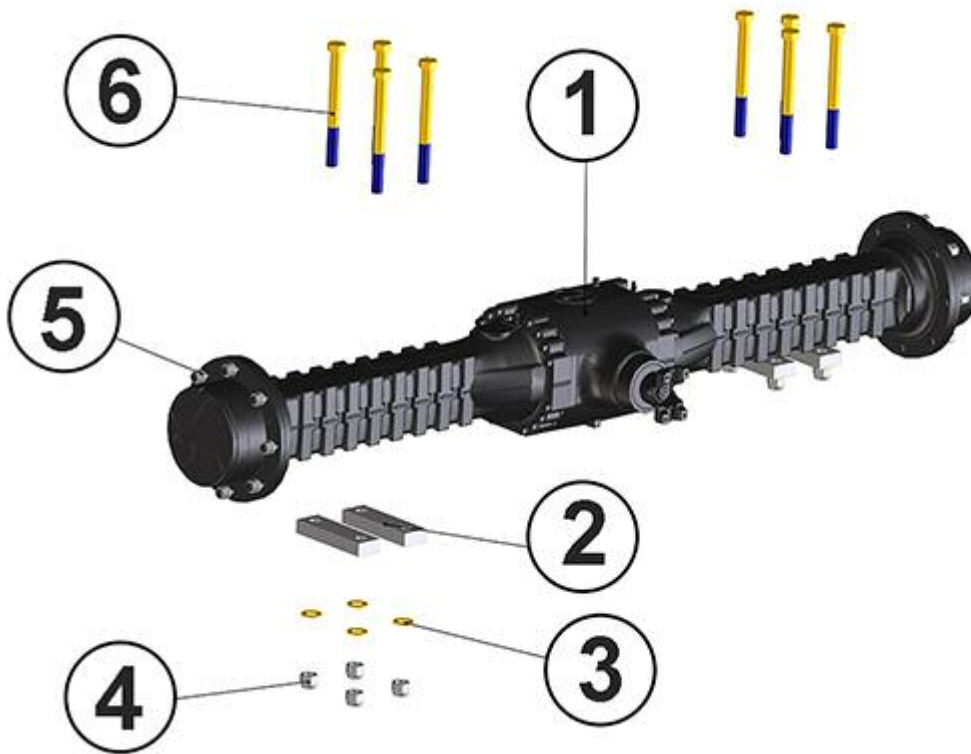


FIGURE	REFERENCE	DENOMINATION	AMOUNT
001	66.03300.00	FIXED FRONT AXLE	1
002	64.04139.00	Deck 30X60X205	4
003	101.24000.66	WASHER DIN125	8
004	711.24000.66	NUT DIN982 M24X3	8
006	604.24260.86	SCREW DIN931	8

# 660 80796 - XXX XXXXX

## 03. TRANSMISSION / FIXED FRONT AXLE(01)

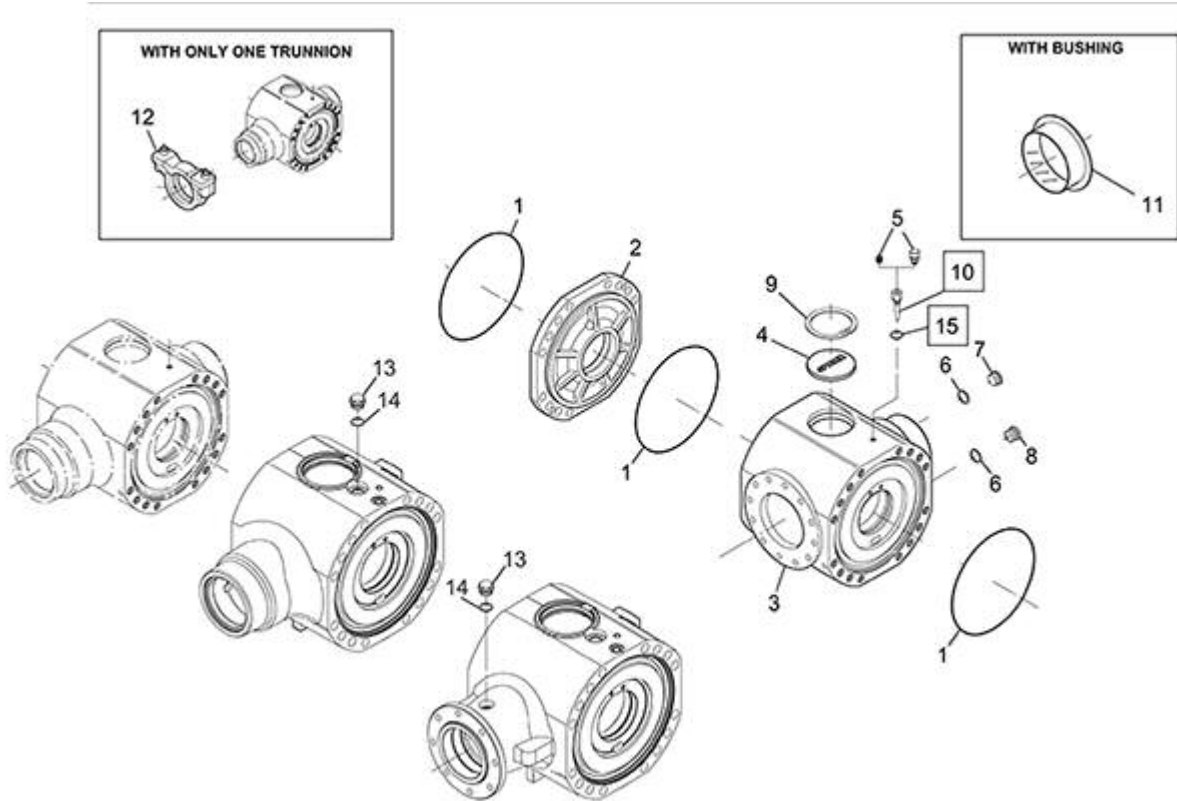
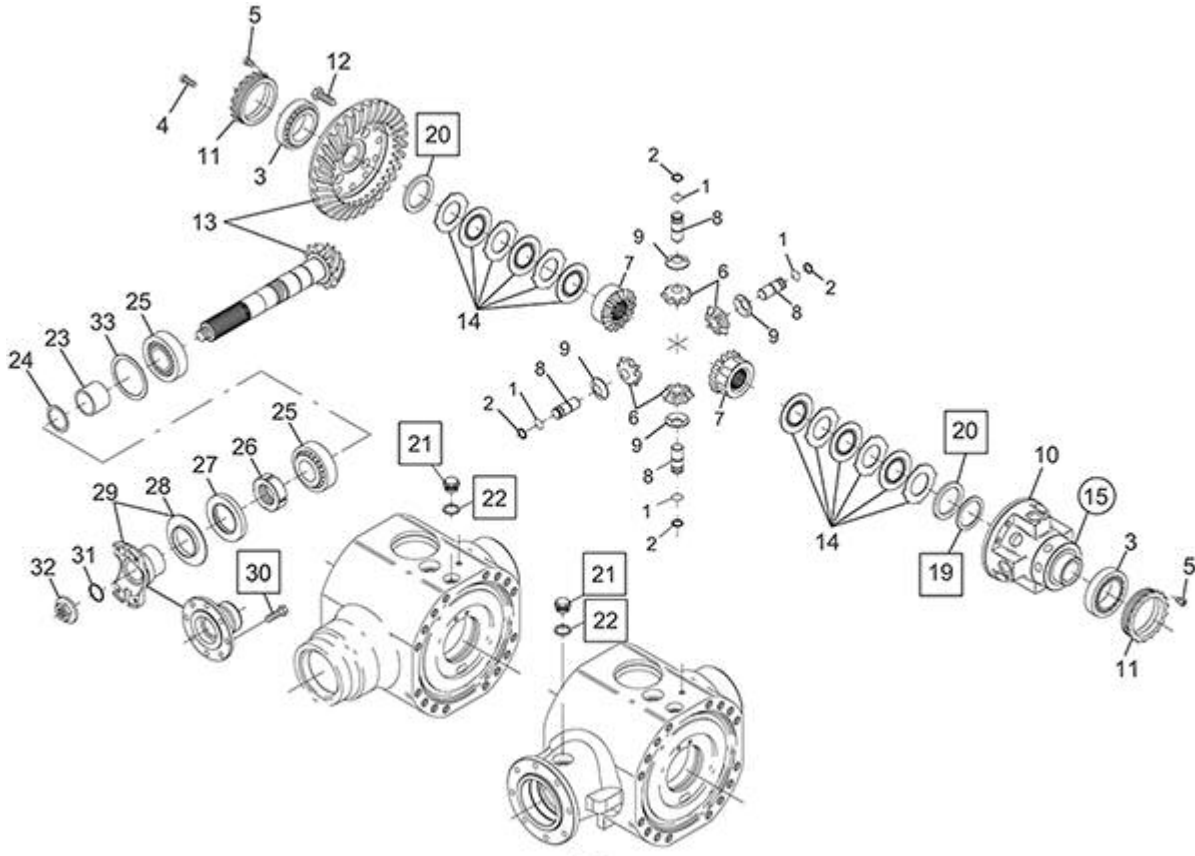


FIGURE	REFERENCE	DENOMINATION	AMOUNT
001	DA001051178	O-RING	3
002	DA1120100706	COVER	1
003	DA1120103703	CASING	1
004	DA1710101504	CAP	1
005	DA1120101806	CAP	1
007	DA1120161001	CAP	7
008	DA1120161003	MAGNET PLUG	1
009	DA002020088	CIRCLIP	1

# 660 80796 - XXX XXXXX

## 03. TRANSMISSION / FIXED FRONT AXLE(02)



(15) Kit = 1+2+6+7+8+9+10+14

FIGURE	REFERENCE	DENOMINATION	AMOUNT
001	DA002063163	CIRCLIP	4
002	DA002143244	CIRCLIP	4
003	DA7250401102	BUSH	2
004	DA016040417	BOLT	4
005	DA016304162	BOLT	2
006	DA1120400401	DIFFERENTIAL PINION	4
007	DA1120400508	DIFFERENTIAL SIDE GEAR	2
008	DA1120470602	BOLT	4
009	DA1120400801	WASHER	4
010	DA1120401104	DIFFERENTIAL HOUSING	1
011	DA1120401602	CLAMP	2
012	DA016283390	SCREW	12
013	DA1120451004	BEVEL GEAR SET	1
014	DA1120461103	DIFFERENTIAL DISC SET	2
015	DA1120470308	LIMITED-SLIP DIFERENTIAL	1

023	DA1120400902	SPACER	1
024	DA1230440002	SHIM SET	1
025	DA005100162	BUSH	2
026	DA9530401201	CLAMP	1
027	DA001033221	SEAL	1
029	DA1120473101	FLANGE	1
031	DA001053158	O-RING	1
032	DA3571413902	NUT	1
033	DA1120440004	SHIM SET	1

# 660 80796 - XXX XXXXX

## 03. TRANSMISSION / FIXED FRONT AXLE(03)

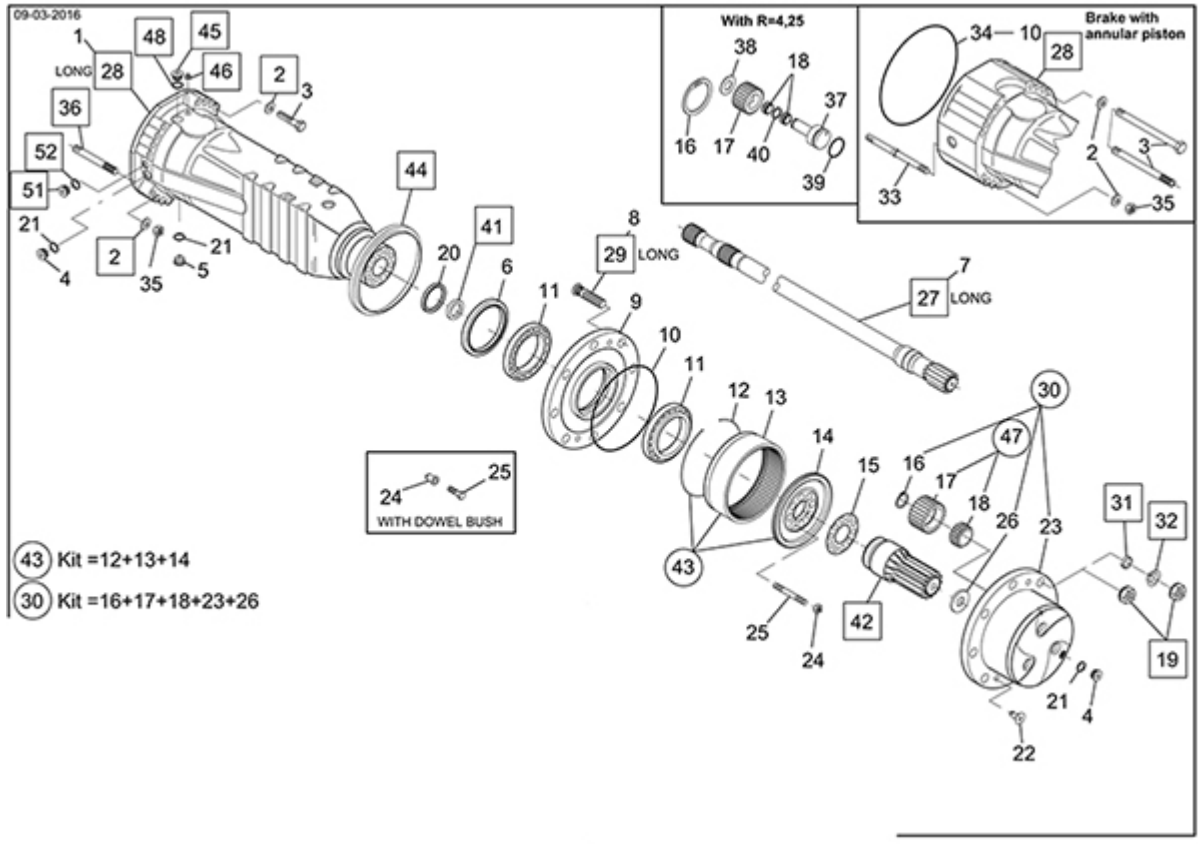


FIGURE	REFERENCE	DENOMINATION	AMOUNT
001	DA1120601827	ARM	2
003	DA1120607001	SCREW	28
004	DA1120161001	CAP	4
005	DA1120161003	MAGNET PLUG	2
006	DA1770600901	SEAL	2
007	DA1120600201	HALF SHAFT	2
008	DA7020601702	STUD	16
009	DA1120611003	WHEEL HUB	2
010	DA001051178	O-RING	2
011	DA005103166	BUSH	4
012	DA002063193	CIRCLIP	2
013	DA1120600504	CROWN GEAR	2
014	DA1120600707	SUPPORT	2
015	DA1120602601	LOCK PLATE	2
016	DA002143191	CIRCLIP	4
017	DA1120600606	PLANETARY GEAR	8
018	DA7300602604	BUSH	8

019	DA006080206	WHEEL NUT	16
020	DA001404360	SEAL	2
022	DA016060442	SCREW	4
023	DA1120605005	PLANET CARRIER COVER	1
024	DA006224380	NUT	16
025	DA1120602503	STUD	16
026	DA1120601702	WASHER	1
030	DA2120671018	PLANET CARRIER COVER	2
043	DA2120670707	CROWN GEAR SUPPORT KIT	2
047	DA1120670606	PLANETARY GEAR SET	8
051	DA1370600602	CAP	2
052	DA011070918	WASHER	2





**660 80796 - XXX XXXXX**  
**03. TRANSMISSION / FIXED REAR AXLE**

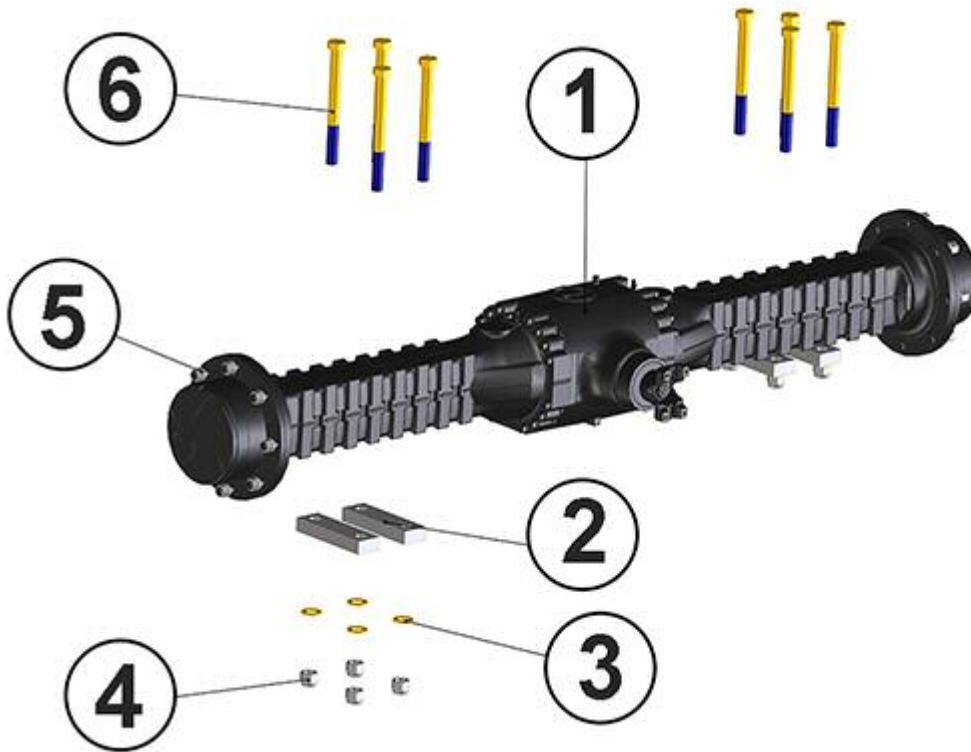


FIGURE	REFERENCE	DENOMINATION	AMOUNT
001	63.03214.02	FIXED REAR AXLE	1
002	64.04139.00	Deck 30X60X205	4
003	101.24000.66	WASHER DIN125	8
004	711.24000.66	NUT DIN982 M24X3	8
006	604.24260.86	SCREW DIN931	8

## 660 80796 - XXX XXXXX

### 03. TRANSMISSION /CARDAN

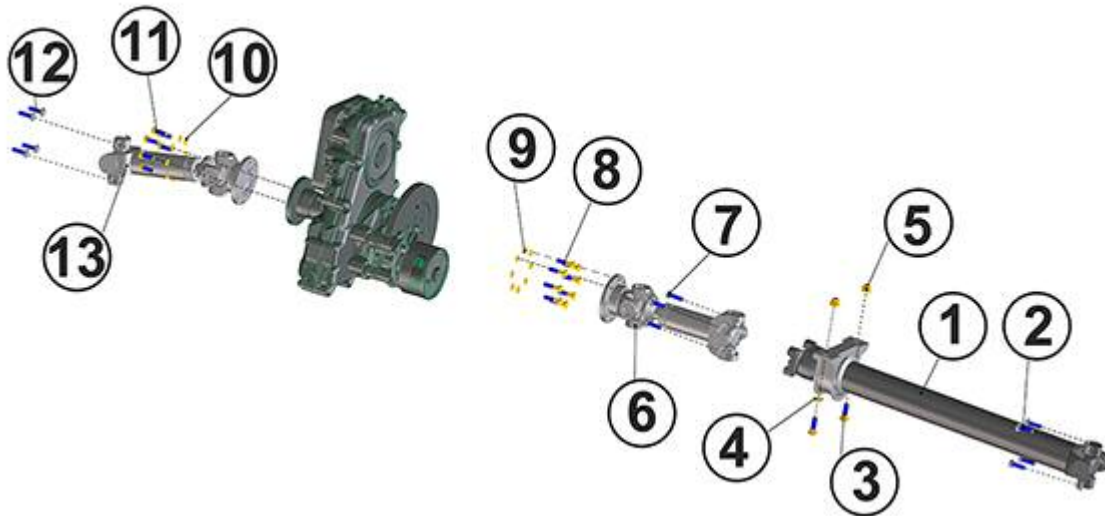


FIGURE	REFERENCE	DENOMINATION	AMOUNT
001	66.03600.00	CARDAN 817	1
002	63.03123.00	KIT CABLE TIE WITH SCREWS DANA	2
003	604.12035.86	SCREW DIN931 M12x35	2
004	101.12000.66	WASHER DIN125 D12	2
005	711.12000.66	NUT DIN982 M12	2
006	66.03602.00	CARDAN 255	1
007	63.03123.00	KIT CABLE TIE WITH SCREWS DANA	2
008	604.10040.86	SCREW DIN931	8
009	104.10000.00	WASHER DIN7980 D10	8
010	104.10000.00	WASHER DIN7980 D10	8
011	604.10040.86	SCREW DIN931	8
013	66.03601.00	CARDAN 310	1

## 660 80796 - XXX XXXXX

### 03. TRANSMISSION / HYDROSTATIC

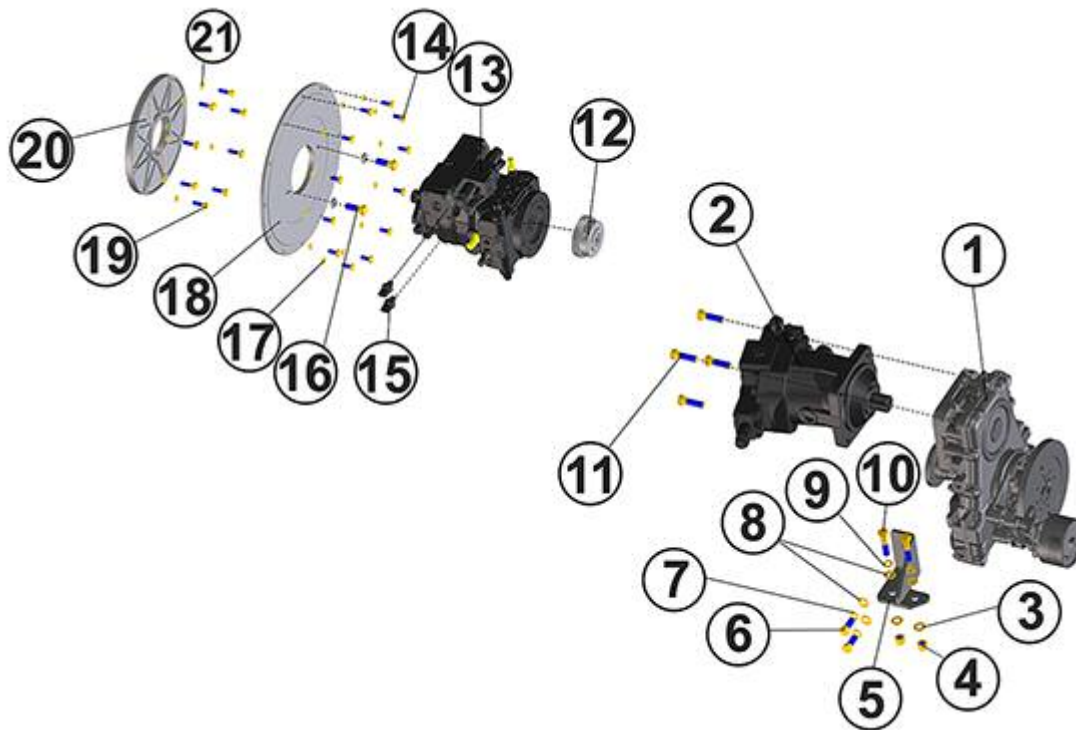


FIGURE	REFERENCE	DENOMINATION	AMOUNT
001	66.03240.00	GEAR BOX	1
002	66.03261.00	160CC HYDRAULIC MOTOR	1
003	101.16000.66	WASHER DIN125 D16	2
004	711.16000.86	NUT DIN982 M16 C8	2
005	66.04431.00	SUPPORT FIXING REDUCTION BOX	1
006	604.16040.86	SCREW DIN931	2
007	104.16000.00	CIR-CLIP EXT. DIN7980	2
008	101.16000.66	WASHER DIN125 D16	4
009	104.16000.00	CIR-CLIP EXT. DIN7980	2
010	604.16070.86	BOLT DIN931 M16x70	2
011	604.16060.86	SCREW DIN931	4
012	66.03272.00	ACOP. DEN/DEN	1
013	66.03250.00	HYDRAULIC PUMP 71CC	1
014	603.10025.86	SCREW DIN933 M10x25	12
015	66.11122.00	SENSOR PRESSURE BRR PR4	2
016	603.16045.97	SCREW DIN933	2
017	104.10000.00	WASHER DIN7980 D10	12
018	66.03270.00	CONJ ACOP. A4VG71 TCD3.6	1
019	604.10035.86	SCREW DIN931	8



020	66.03271.00	ACOP CIL/DEN DEUTZ	1
021	104.10000.00	WASHER DIN7980 D10	8

## 660 80796 - XXX XXXXX

### 03. TRANSMISSION / GEAR BOX (1)

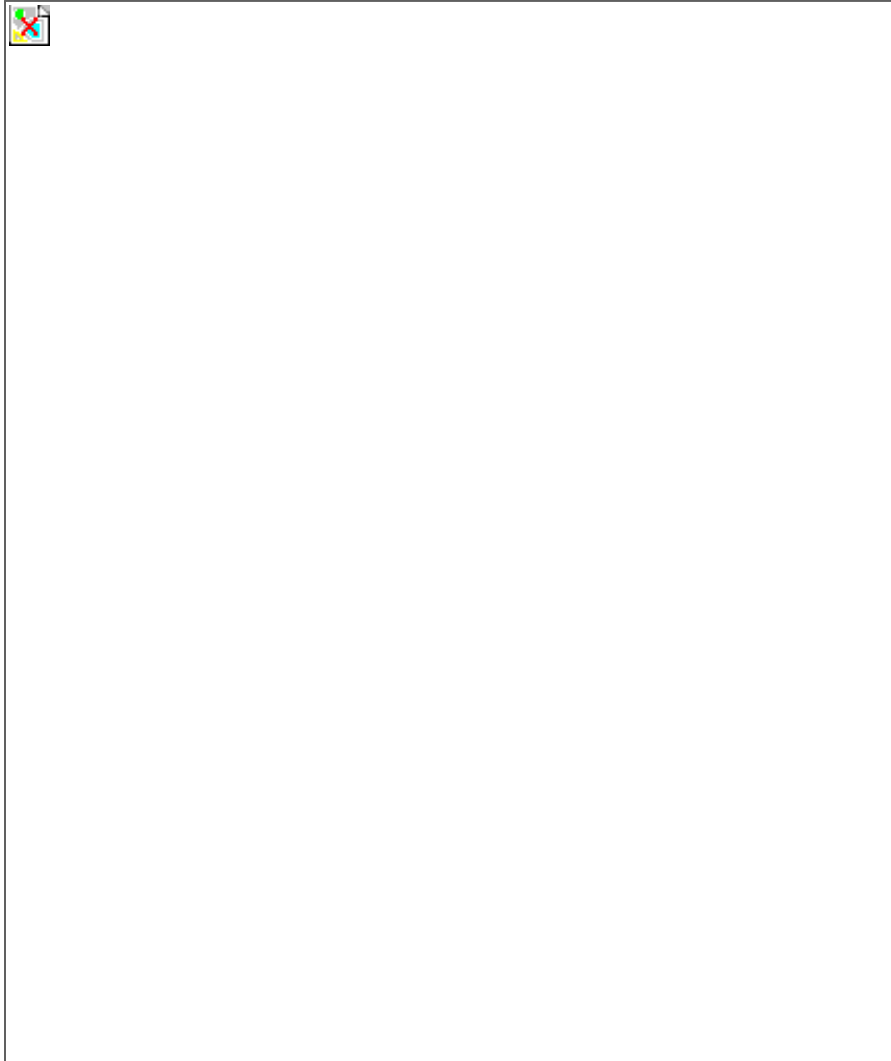


FIGURE	REFERENCE	DENOMINATION	AMOUNT
001	CR138950	PLUG	1
002	CR104988	BREATHER M10x1	1
003	CR137182	TRANSMISSION HALF HOUSING	1
004	CR30755	PLUG D14.5	4
005	CR21416	SCREW M10X70	2
006	CR21415	SCREW M10X60	8
007	CR125280	OIL PLUG	3
008	CR149032	FLANGE	1
009	CR23265	WASHER	1
010	CR24789	SNAP RING D34	1
011	CR140236	PIN	1

**COMMENTS**

---

CAJA REDUCTORA CR499494

## 660 80796 - XXX XXXXX

### 03. TRANSMISSION / GEAR BOX (2)

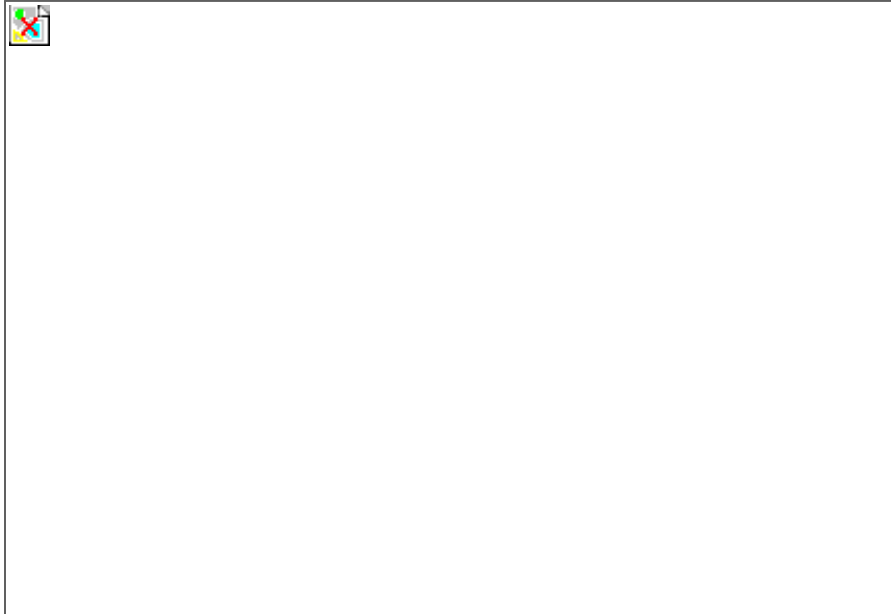


FIGURE	REFERENCE	DENOMINATION	AMOUNT
001	CR72259	PIN	2
002	CR450961	TRANSMISSION HALF HOUSING	1
003	CR24789	SNAP RING D34	2
004	CR149032	FLANGE	1
005	CR495451	COVER	1
006	CR495361	FLANGE	1
007	CR495360	FLANGE	1
008	CR149033	BRAKE DISC	1
009	CR495449	SCREW M12X110	8
010	CR22861	WASHER	8
011	CR22122	NUT	8
012	CR20851	SCREW	1
013	CR25278	SEAL	1

## 660 80796 - XXX XXXXX

### 03. TRANSMISSION / GEAR BOX (3)

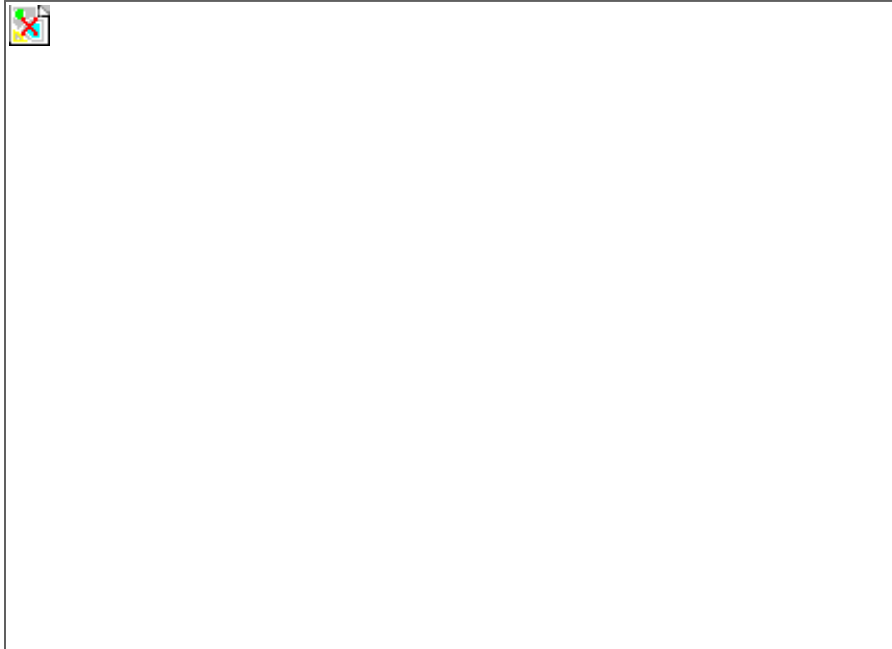


FIGURE	REFERENCE	DENOMINATION	AMOUNT
001	CR141128	GEAR Z=56	1
002	CR24816	SNAP RING	1
003	CR25742	BEARING	1
004	CR141129	GEAR Z=80	1
005	CR25744	BEARING	1
006	CR25306	SEAL	1
007	CR387728	SHAFT	1
008	CR28532	O RING	2
009	CR641984	PLUG	1
010	CR21412	SCREW M10X35	6
011	CR21434	SCREW M10X90	2
012	CR136878	FLANGE	1
013	CR28611	O RING	2
014	CR25820	BEARING	2



**660 80796 - XXX XXXXX**  
**03. TRANSMISSION / GEAR BOX (4)**

FIGURE	REFERENCE	DENOMINATION	AMOUNT
001	CR471687	BRAKE CALIPER	1
011	CR210804	KIT BRAKE PADS	1
012	CR210806	SPRING-DISC KIT	1
013	CR210807	KIT SCREW	1
014	CR210803	KIT REPAIR	1
015	CR210805	SEAL KIT	1

## 660 80796 - XXX XXXXX

### 04. CHASSIS / REAR CHASSIS



FIGURE	REFERENCE	DENOMINATION	AMOUNT
001	66.04400.00	ENGINE FRAME	1
002	66.04400.00	ENGINE FRAME	6
003	112.08000.66	WASHER DIN9021 D8	6
004	104.08000.00	WASHER DIN7980 D8	6
005	603.08030.86	SCREW DIN933 M8X30	6
006	66.04040.00	ACOUSTIC ABSORBENT	1
007	66.04020.00	ENGINE PROTECTOR AND SOUNDLESS COVER	1
008	477.10020.00	RUBBER PROFILE MAT.	2
009	60.01924.01	LATCH	2
010	502.05016.60	RIVET DIN1476	8
011	701.08000.66	NUT DIN934 M8X1,25	4
012	66.04735.00	SUPPORT ARTICULATION M8X1.25X20	4
013	66.04420.00	TANK COVER	2
014	60.01925.01	LATCH	2
016	66.04132.00	UPPER STEP	2
017	66.04130.00	LOWER STEP	2
018	101.10000.66	WASHER DIN125 D10	16
019	603.10030.86	SCREW DIN933	16
020	104.10000.00	WASHER DIN7980 D10	16

# 660 80796 - XXX XXXXX

## 04. CHASSIS / FRONT CHASSIS

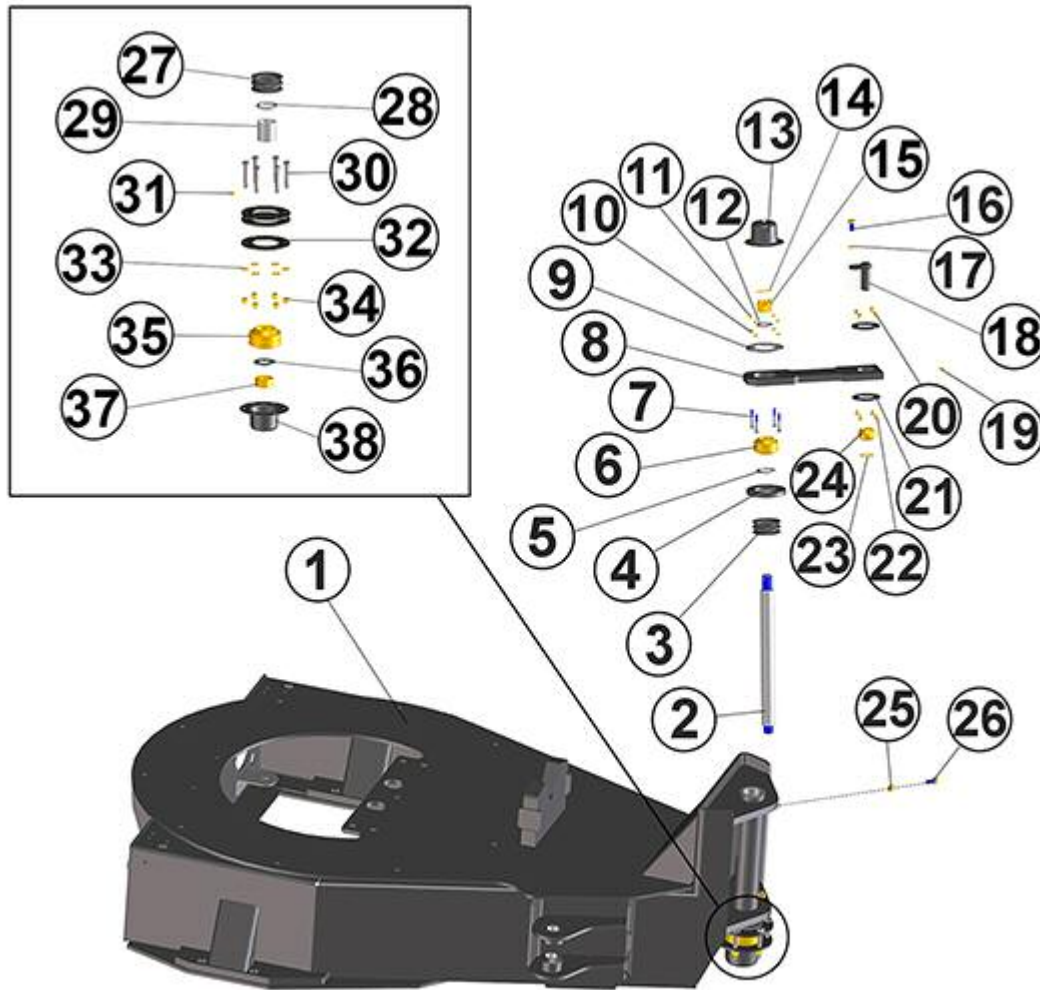


FIGURE	REFERENCE	DENOMINATION	AMOUNT
001	66.04200.00	TURNING FRAME	1
002	63.04144.01	SHAFT 36X36X606	1
003	64.06214.00	DUST EXCLUDER 43x103	1
004	64.06213.00	COVER	1
005	64.06215.00	RING 8x51x70	1
006	941.50056.00	BUSHING	1
007	604.08065.86	SCREW DIN931 M8X65	4
008	64.06212.01	CONNECTING ROD 90X68X504.5	1
009	65.04143.00	COVER 140x6	1
010	101.08000.66	WASHER DIN125 D8	4
011	711.08000.66	NUT DIN982 M8	4
012	64.06221.00	RING 37x60x6	1

013	64.06210.02	COVER Ø93X145	1
014	703.36000.60	NUT DIN935 M36x4	1
015	64.06224.00	SPINDLE 40x120	1
016	603.16030.86	BOLT DIN933 M16x30	1
017	104.16000.00	CIR-CLIP EXT. DIN7980	1
018	64.06224.00	SPINDLE 40x120	1
019	901.08000.33	GREASER DIN71412-A M8x1,25	4
020	618.08016.86	FLAT HEAD SOCKET CAP SCREW DIN7991 M8x16	4
021	64.06219.00	COVER 6x104	1
022	618.08016.86	FLAT HEAD SOCKET CAP SCREW DIN7991 M8x16	4
023	904.40000.00	RING DIN471	1
024	941.40040.00	BUSHING	1
025	701.10000.66	NUT DIN934 M10x1.5	2
026	603.10025.86	SCREW DIN933 M10x25	2
027	64.06214.00	DUST EXCLUDER 43x103	1
028	64.06215.00	RING 8x51x70	1
029	64.06217.00	BUSHING 50x60x5	1
030	604.12080.86	SCREW DIN931 M12x80	6
031	901.08000.33	GREASER DIN71412-A M8x1,25	1
032	64.06226.00	COVER 90X160X4	3
033	101.12000.66	WASHER DIN125 D12	6
034	711.12000.86	NUT DIN982 M12 C8	6
035	941.60063.00	KNECK	1
036	63.04144.01	SHAFT 36X36X606	1

## 660 80796 - XXX XXXXX

### 04. CHASSIS / FRONT CHASSIS

FIGURE	REFERENCE	DENOMINATION	AMOUNT
037	701.36000.86	NUT DIN934 M36X4	1
038	64.06218.01	COVER 73/160	1

**660 80796 - XXX XXXXX**  
**05. ACT. BRAKE / FOOT (01)**

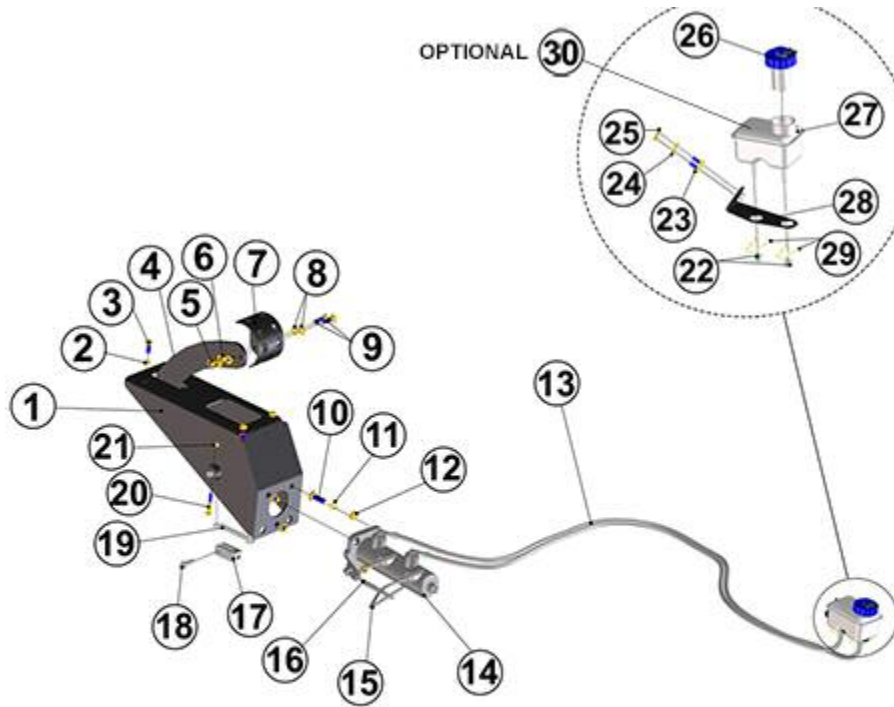


FIGURE	REFERENCE	DENOMINATION	AMOUNT
001	66.05120.00	BRAKE STRUCTURE	1
002	104.08000.00	WASHER DIN7980 D8	4
003	630.08020.96	SCREW ISO7380	4
004	66.05110.00	PEDAL BRAKE LEVER	1
005	711.08000.66	NUT DIN982 M8	2
006	101.08000.66	WASHER DIN125 D8	2
007	66.05111.00	BRAKE PEDAL	1
008	101.08000.66	WASHER DIN125 D8	2
009	603.08030.86	SCREW DIN933 M8X30	2
010	603.10030.86	SCREW DIN933	3
011	104.10000.00	WASHER DIN7980 D10	3
012	701.10000.66	NUT DIN934 M10x1.5	3
013	469.15009.00	PLASTIC HOSE 6X9	2
014	64.05112.00	MASTER CYLINDER	1
015	66.05019.00	TUBE	1
016	66.05018.00	TUBE	1

018	20.05040.00	ART. FORK	1
018	01.00514.01	AXLE CIL/CPA 14x8x28	1
019	45.00139.00	SPRING TENSION	1
020	604.06040.86	SCREW DIN931 M6x40	1
021	711.06000.66	NUT DIN982 M6	1
022	948.01208.00	FLANGE	2
023	603.06015.86	SCREW DIN933 M6x15	2
024	104.06000.00	WASHER DIN7980 D6	2
025	101.06000.66	WASHER DIN125 D6	2
026	46.05011.00	CAP	1
027	46.05020.00	BRAKE LIQUIDE TANK	1
028	66.05107.00	SUPPORT	1
029	46.05016.00	CLIP	2
030	65.05150.00		1

# 660 80796 - XXX XXXXX

## 05. ACT. BRAKE / FOOT (01)

CHASSIS: 86680

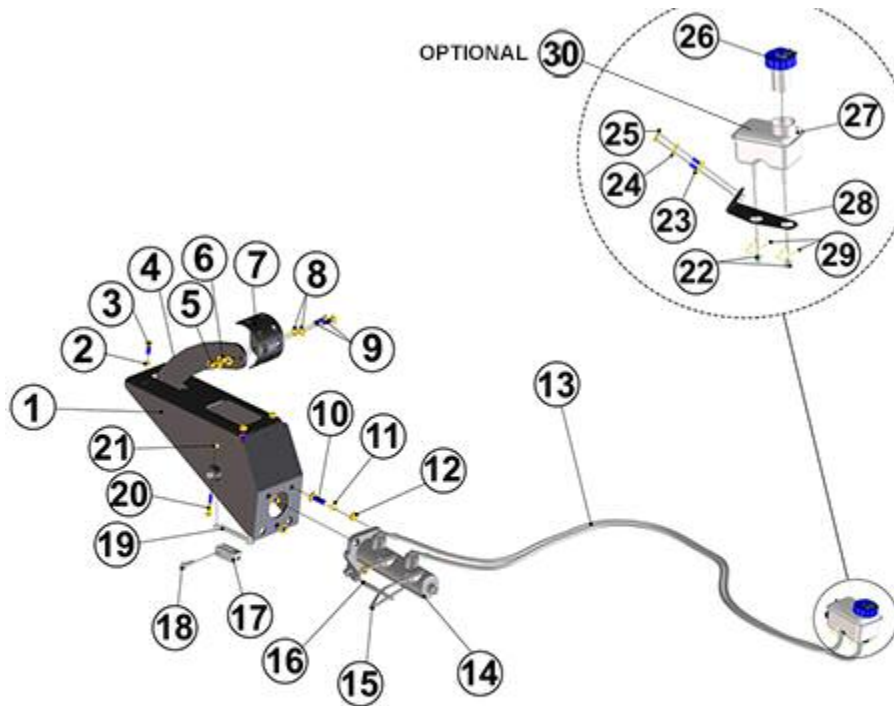


FIGURE	REFERENCE	DENOMINATION	AMOUNT
001	66.05120.00	BRAKE STRUCTURE	1
002	104.08000.00	WASHER DIN7980 D8	4
003	630.08020.96	SCREW ISO7380	4
004	66.05110.02	BRAKE PEDAL SUPPORT	1
005	711.08000.66	NUT DIN982 M8	2
006	101.08000.66	WASHER DIN125 D8	2
007	66.05111.01	BRAKE PEDAL	1
008	101.08000.66	WASHER DIN125 D8	2
009	603.08030.86	SCREW DIN933 M8X30	2
010	603.10030.86	SCREW DIN933	3
011	104.10000.00	WASHER DIN7980 D10	3
012	701.10000.66	NUT DIN934 M10x1.5	3
013	469.15009.00	PLASTIC HOSE 6X9	2
014	64.05112.00	MASTER CYLINDER	1
015	66.05019.00	TUBE	1

016	66.05018.00	TUBE	1
018	20.05040.00	ART. FORK	1
018	01.00514.01	AXLE CIL/CPA 14x8x28	1
019	45.00139.00	SPRING TENSION	1
020	604.06040.86	SCREW DIN931 M6x40	1
021	711.06000.66	NUT DIN982 M6	1
022	948.01208.00	FLANGE	2
023	603.06015.86	SCREW DIN933 M6x15	2
024	104.06000.00	WASHER DIN7980 D6	2
025	101.06000.66	WASHER DIN125 D6	2
026	46.05011.00	CAP	1
027	46.05020.00	BRAKE LIQUIDE TANK	1
028	66.05107.00	SUPPORT	1
029	46.05016.00	CLIP	2
030	65.05150.00		1



**660 80796 - XXX XXXXX**  
**05. BRAKE ACTUATING / FOOT (02)**

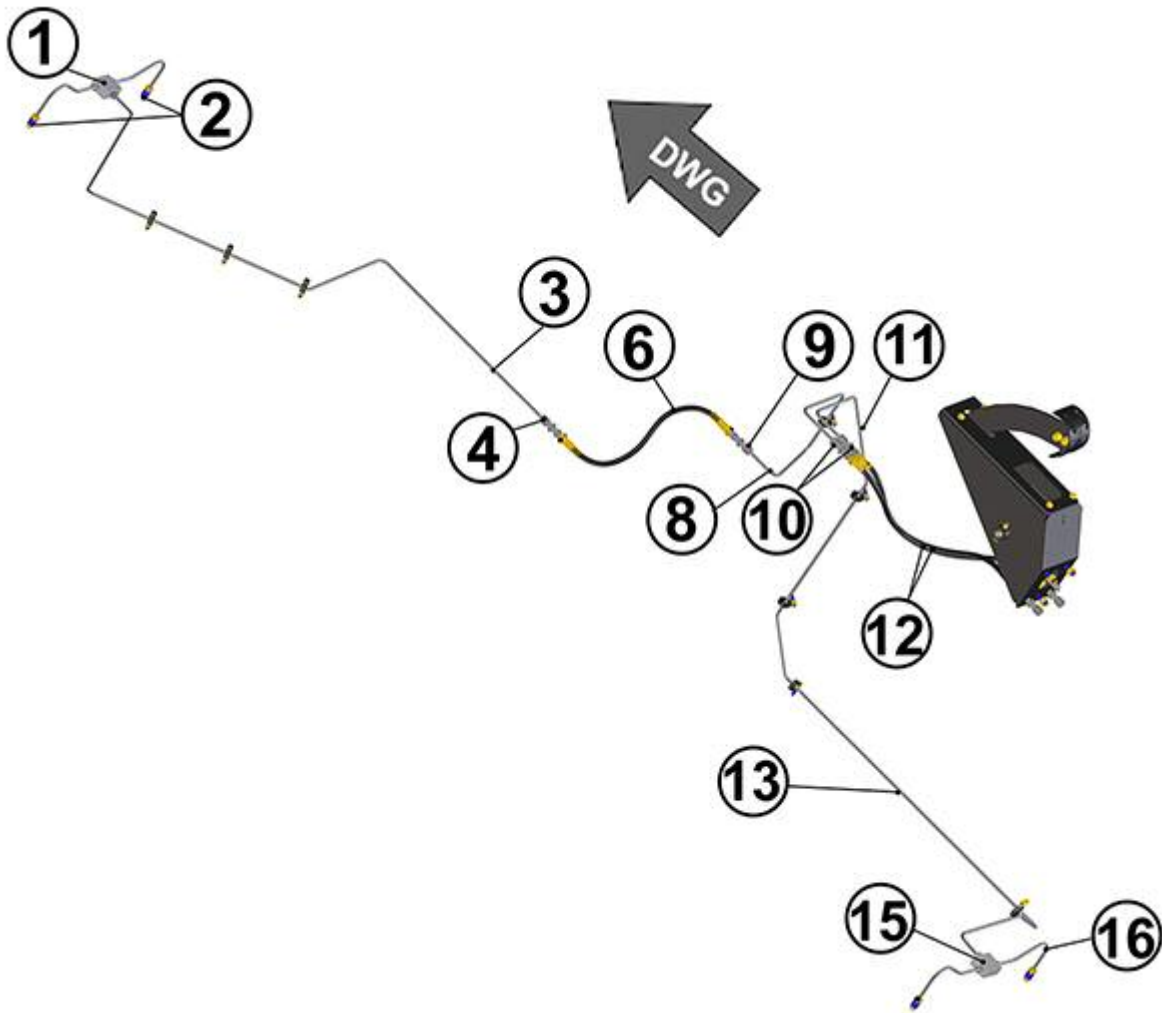


FIGURE	REFERENCE	DENOMINATION	AMOUNT
001	64.05129.00	RACOR H/H/H M12/M12/M12	1
002	64.05128.00	HYDRAULIC STEEL PIPE, BUNDY 4 200X100	2
003	66.05016.00	METAL TUBE BRAKE	1
004	64.05123.00	FITTING M/M	1
006	64.05119.00	HOSE, FLEXIBLE DR7 408	1
008	66.05014.00	TUBE BUNDY4 183X161X158	1
009	64.05123.00	FITTING M/M	1
010	64.05123.00	FITTING M/M	2
011	66.05015.00	TUBE BUNDY4 953X631X332	1
012	66.05020.00	TUBE DR7	2
013	66.05015.00	TUBE BUNDY4 953X631X332	1
015	64.05129.00	RACOR H/H/H M12/M12/M12	1



016

64.05128.00

HYDRAULIC STEEL PIPE, BUNDY 4 200X100

2

## 660 80796 - XXX XXXXX

### 06. HYDRAULIC DIRECTION

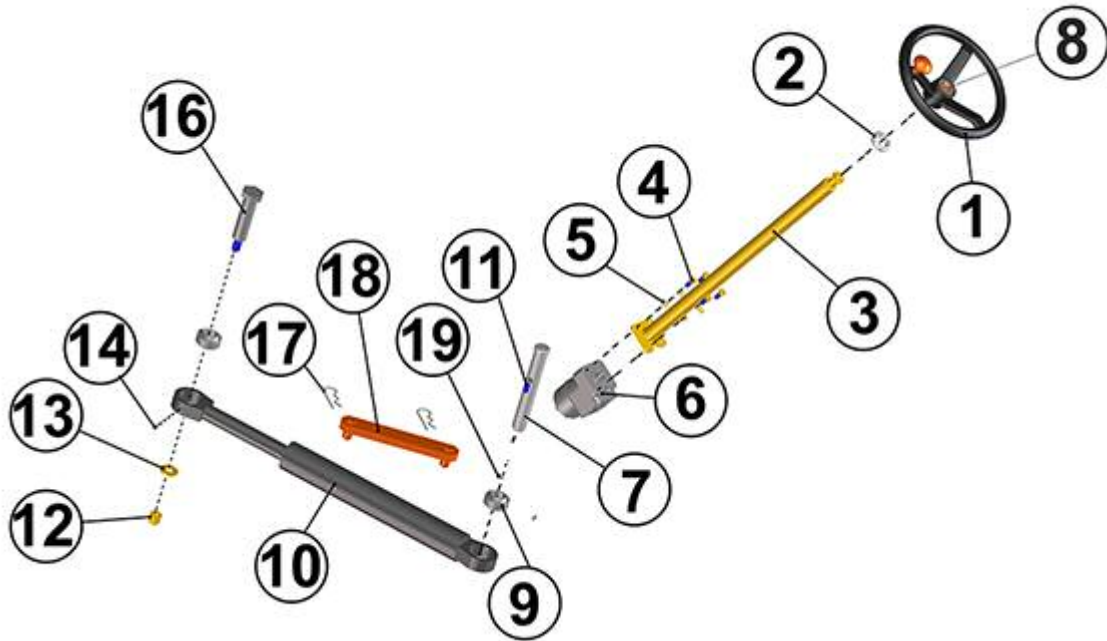


FIGURE	REFERENCE	DENOMINATION	AMOUNT
001	15.01016.01	STEERING WHEEL D21-315 WITH POMMEL	1
002	15.20727.00	NYLON BEARING 16x38x52	1
003	55.10680.00	STEERING COLUMM	1
004	603.10025.86	SCREW DIN933 M10x25	4
005	104.10000.00	WASHER DIN7980 D10	4
006	65.06211.00	HYDROSTATIC STEERING	1
007	66.06200.00	EJE CIL	1
008	00.00626.05	TRIM	1
010	63.06113.00	cylinder	1
011	603.12030.86	SCREW DIN933 M12x30	1
012	711.20000.66	NUT	1
013	15.00561.00	WASHER DIN125 20.5x45x5	1
014	902.08000.33	GREASER DIN71412-C	2
016	64.04135.00	AXLE	1
017	15.00836.02	PIN	2
018	64.06223.00	CON ROD 50x55x300	11
019	104.12000.00	WASHER DIN7980 D12	1

**660 80796 - XXX XXXXX**  
**07. WHEELS**

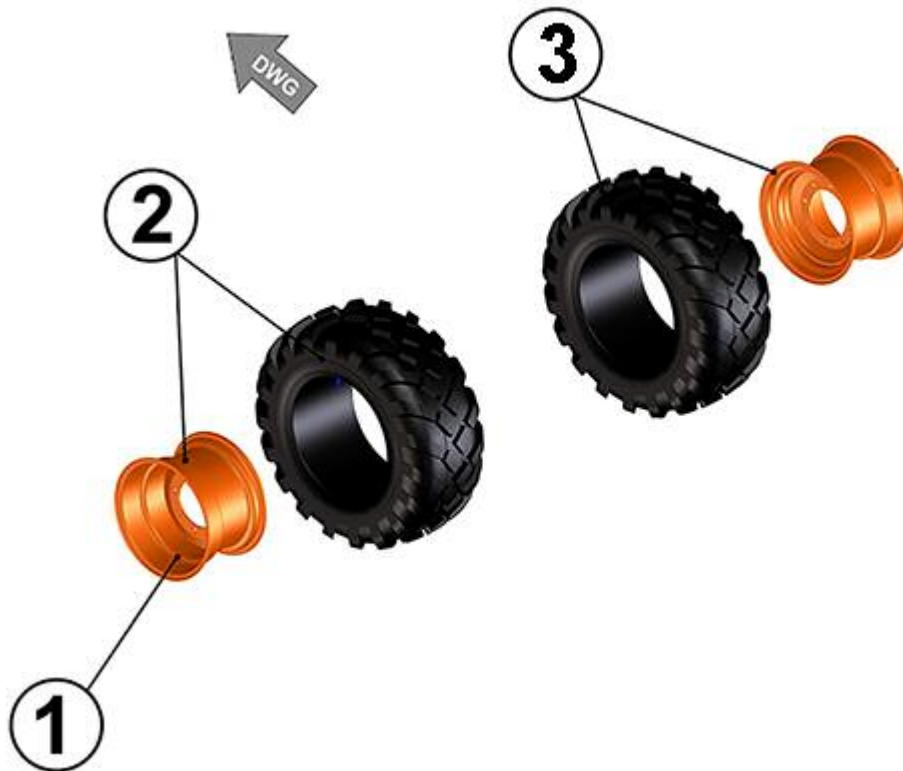


FIGURE	REFERENCE	DENOMINATION	AMOUNT
001	66.07111.00	RIM	1
002	66.07100IZ00	LEFT WHEEL	1
003	66.07100DE00	RIGHT WHEEL	1

## 660 80796 - XXX XXXXX

### 08. BODYWORK / PROTECTOR

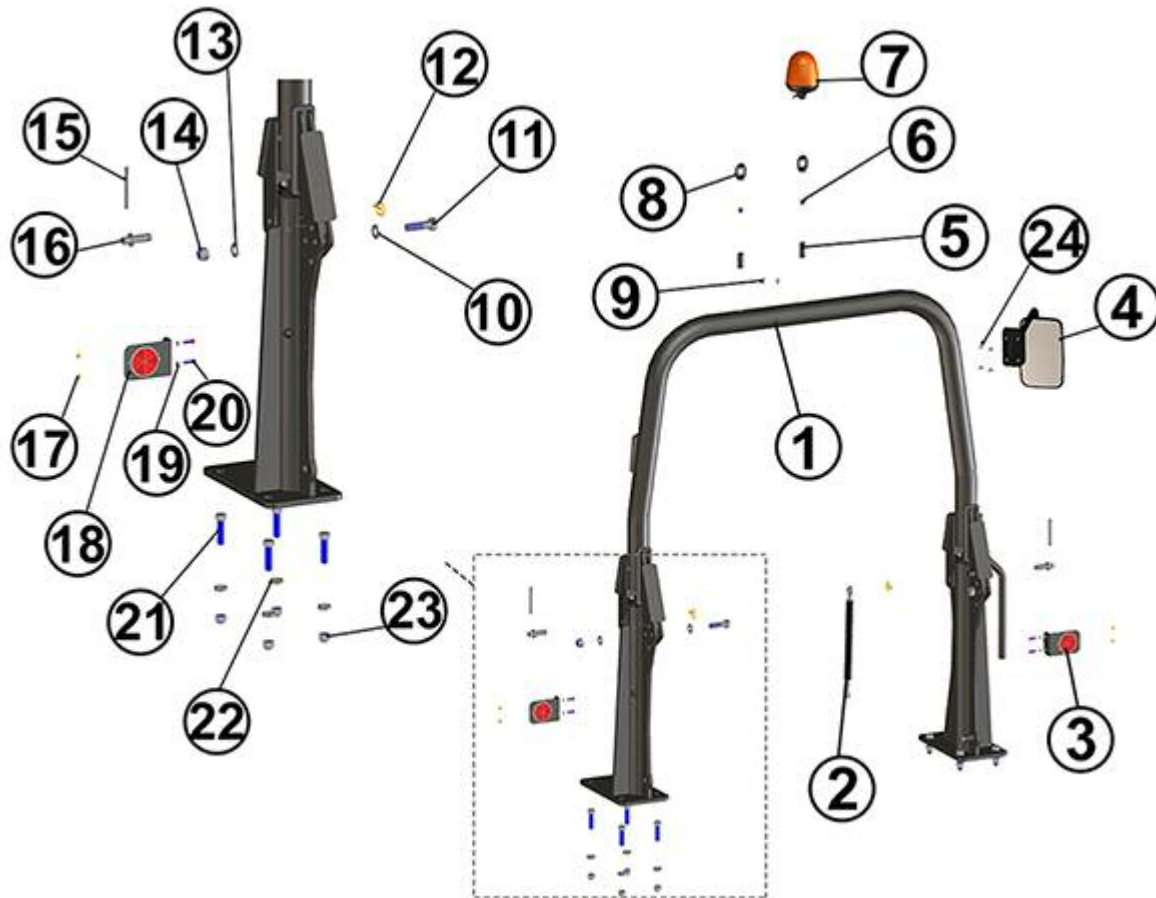


FIGURE	REFERENCE	DENOMINATION	AMOUNT
001	66.08160.01	PROTECTOR	1
002	32.08026.00	SHOCK ABSORBER, L746xC290 2200 N	1
003	66.08161.00	FIXING SUPPORT	1
004	66.08251.00	REAR-VIEW MIRROR	1
005	66.08162.00	SUPPORT	2
006	48.11038.00	CONNECTOR WITH PROTECTION. FARO ROT.	2
007	01.00912.00	BEACON	1
008	48.11038.00	CONNECTOR WITH PROTECTION. FARO ROT.	2
009	721.08003.66	NUT M8	2
010	101.20000.66	WASHER DIN125	2
011	604.20070.86	BOLT DIN931 M20x70	2
012	404.06036.00	PIN DIN11023	2
013	101.20000.66	WASHER DIN125	2
014	718.20000.66	NUT DIN982 M20x1,5	2

015	70.08104.00	PIN WITH CHAIN	2
016	70.08104.00	PIN WITH CHAIN	2
017	711.06000.66	NUT DIN982 M6	4
018	66.08161.00	FIXING SUPPORT	1
019	101.06000.66	WASHER DIN125 D6	4
020	603.06025.86	SCREW DIN933 M6x25	4
021	604.18070.86	SCREW DIN931	8
022	101.18000.66	BEARING DIN125 D18	8
023	711.18000.66	NUT DIN982 M18	8
024	618.08020.86	SCREW DIN7991 M8x20	4

## 660 80796 - XXX XXXXX

### 08. BODYWORK / RADIATOR PROTECTOR

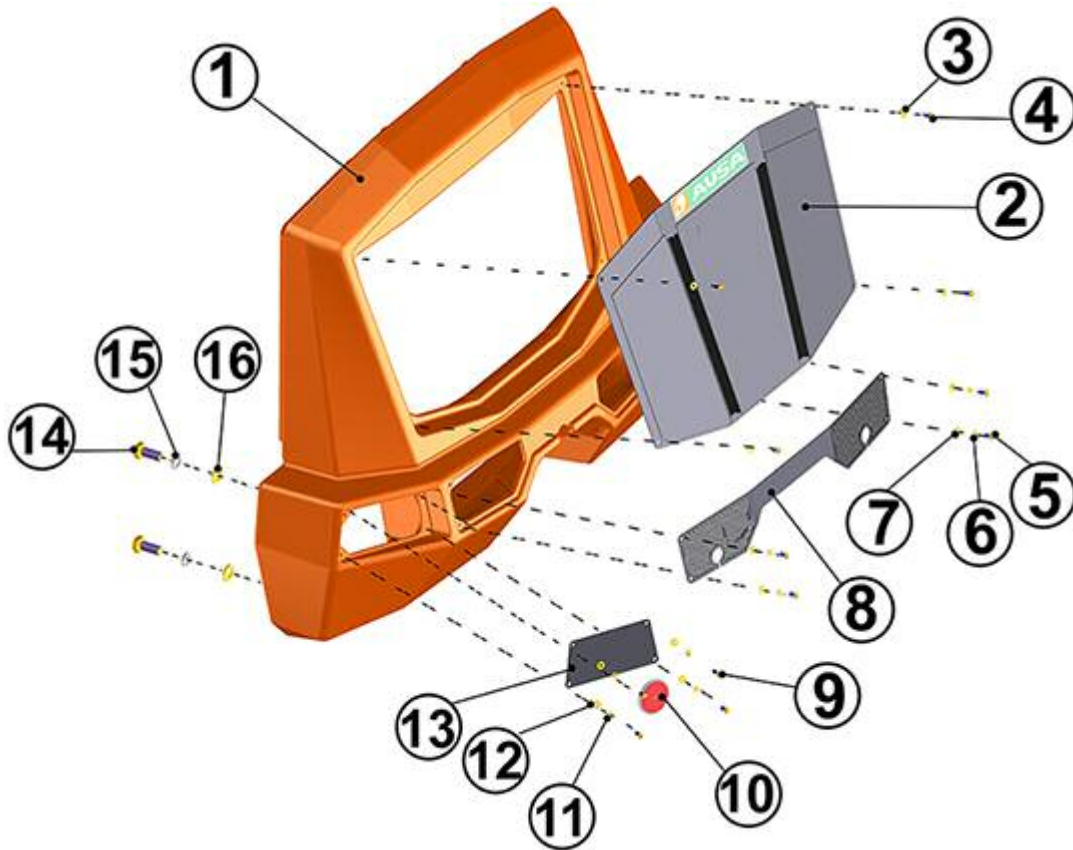


FIGURE	REFERENCE	DENOMINATION	AMOUNT
001	66.08010.00	COUNTERWEIGHT	1
002	66.08011.02	RADIATOR PROTECTOR	1
003	101.08000.66	WASHER DIN125 D8	4
004	630.08015.96	SCREW ISO7380	4
005	630.08015.96	SCREW ISO7380	4
006	104.08000.00	WASHER DIN7980 D8	4
007	101.08000.66	WASHER DIN125 D8	4
008	66.08012.00	PROTECTOR RADIATOR GRILL INF	1
009	630.08015.96	SCREW ISO7380	8
010	10.11017.00	RED REFLECTOR	2
011	104.08000.00	WASHER DIN7980 D8	8
012	101.08000.66	WASHER DIN125 D8	8
013	66.08013.00	PROTECTOR	2
014	603.20050.86	SCREW DIN933	4
015	104.20000.00	CIR-CLIP EXT. DIN7980	4
016	101.20000.66	WASHER DIN125	4

## 660 80796 - XXX XXXXX

### 08. BODYWORK / FRONT

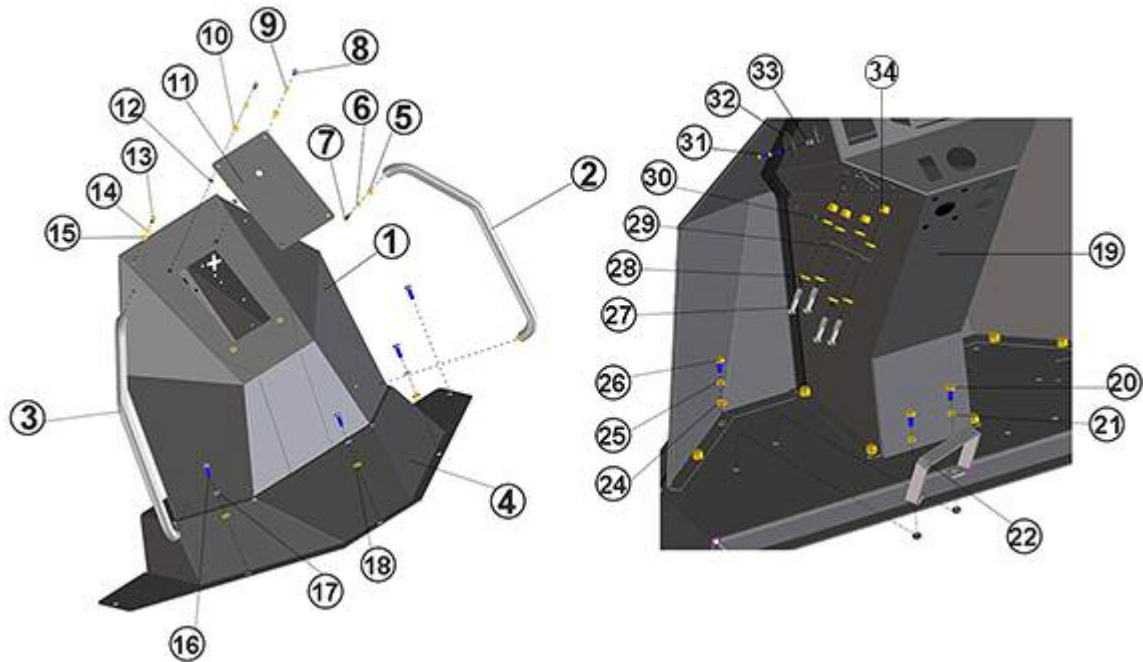


FIGURE	REFERENCE	DENOMINATION	AMOUNT
001	66.08128.00	CONTROL PANEL PROTECTOR	1
002	66.08055.00	HANDLER TABLIER LEFT	1
003	66.08054.00	HANDLER TABLIER RIGHT	1
004	66.08050.00	DASHBOARD SUPPORT COVER	1
005	101.08000.66	WASHER DIN125 D8	4
006	104.08000.00	WASHER DIN7980 D8	4
007	603.08020.86	SCREW DIN933 M8x20	4
008	630.08020.96	SCREW ISO7380	4
009	104.08000.00	WASHER DIN7980 D8	4
010	101.08000.66	WASHER DIN125 D8	4
011	66.08125.00	ACCES COVER	1
012	02.32008.00	PLASTIC PLUG	4
013	603.08020.86	SCREW DIN933 M8x20	2
014	104.08000.00	WASHER DIN7980 D8	2
015	101.08000.66	WASHER DIN125 D8	2
016	630.12025.87	SCREW ISO7380 M12X25	5
017	104.12000.00	WASHER DIN7980 D12	3
018	101.12000.66	WASHER DIN125 D12	3
019	66.08052.00	DASHBOARD SUPPORT	1
020	603.08020.86	SCREW DIN933 M8x20	2



021	104.08000.00	WASHER DIN7980 D8	2
022	70.08039.00	SUPPORT	1
024	101.08000.66	WASHER DIN125 D8	8
025	104.08000.00	WASHER DIN7980 D8	8
026	603.08020.86	SCREW DIN933 M8x20	8
027	630.08035.96	TORNILLO ISO7380	4
028	101.08000.66	WASHER DIN125 D8	4
029	66.08053.00	ACOUSTIC SIGNAL COVER FVS	1
030	101.08000.66	WASHER DIN125 D8	4
031	630.04015.97	SCREW M4x15 ISO7380	2
032	66.08057.00	ACOUSTIC SIGNAL BUTTON COVER FVS	1
033	701.04000.66	NUT DIN934 M4	2
034	711.08000.66	NUT DIN982 M8	4

## 660 80796 - XXX XXXXX

### 08. BODYWORK / FRONT

CHASSIS: 86806

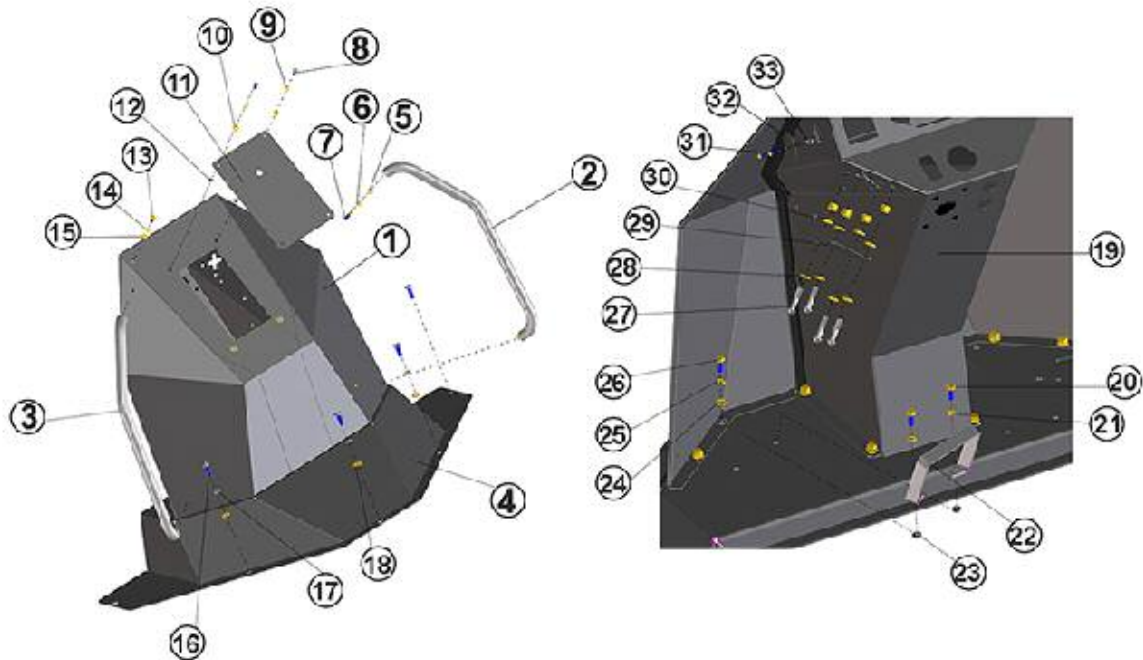


FIGURE	REFERENCE	DENOMINATION	AMOUNT
001	66.08128.00	CONTROL PANEL PROTECTOR	1
002	66.08055.00	HANDLER TABLIER LEFT	1
003	66.08054.00	HANDLER TABLIER RIGHT	1
004	66.08050.00	DASHBOARD SUPPORT COVER	1
005	101.08000.66	WASHER DIN125 D8	4
006	104.08000.00	WASHER DIN7980 D8	4
007	603.08020.86	SCREW DIN933 M8x20	4
008	630.08020.96	SCREW ISO7380	4
009	104.08000.00	WASHER DIN7980 D8	4
010	101.08000.66	WASHER DIN125 D8	4
011	66.08125.00	ACCES COVER	1
012	02.32008.00	PLASTIC PLUG	4
013	603.08020.86	SCREW DIN933 M8x20	2
014	104.08000.00	WASHER DIN7980 D8	2
015	101.08000.66	WASHER DIN125 D8	2
016	630.12025.87	SCREW ISO7380 M12X25	5
017	104.12000.00	WASHER DIN7980 D12	3
018	101.12000.66	WASHER DIN125 D12	3
019	66.08052.02	FIXING SUPPORT	1

020	603.08020.86	SCREW DIN933 M8x20	2
021	104.08000.00	WASHER DIN7980 D8	2
022	70.08039.00	SUPPORT	1
024	101.08000.66	WASHER DIN125 D8	8
025	104.08000.00	WASHER DIN7980 D8	8
026	603.08020.86	SCREW DIN933 M8x20	8
027	630.08035.96	TORNILLO ISO7380	4
028	101.08000.66	WASHER DIN125 D8	4
029	66.08053.00	ACOUSTIC SIGNAL COVER FVS	1
030	101.08000.66	WASHER DIN125 D8	4
031	630.04015.97	SCREW M4x15 ISO7380	2
032	66.08057.00	ACOUSTIC SIGNAL BUTTON COVER FVS	1
033	701.04000.66	NUT DIN934 M4	2
034	711.08000.66	NUT DIN982 M8	4

**660 80796 - XXX XXXXX**

**08. BODYWORK /SEAT**

**① Asiento completo  
Full Seat Kit**



FIGURE	REFERENCE	DENOMINATION	AMOUNT
001	66.08240.00	REDUCED HEIGHT SEAT WITH SENSOR	1
002	66.08241.00	ORANGE SEAT BELT WITH SENSOR	1
003	57.08003.02	SENSOR SEAT	1

**660 80796 - XXX XXXXX**

**08. BODYWORK(1)**

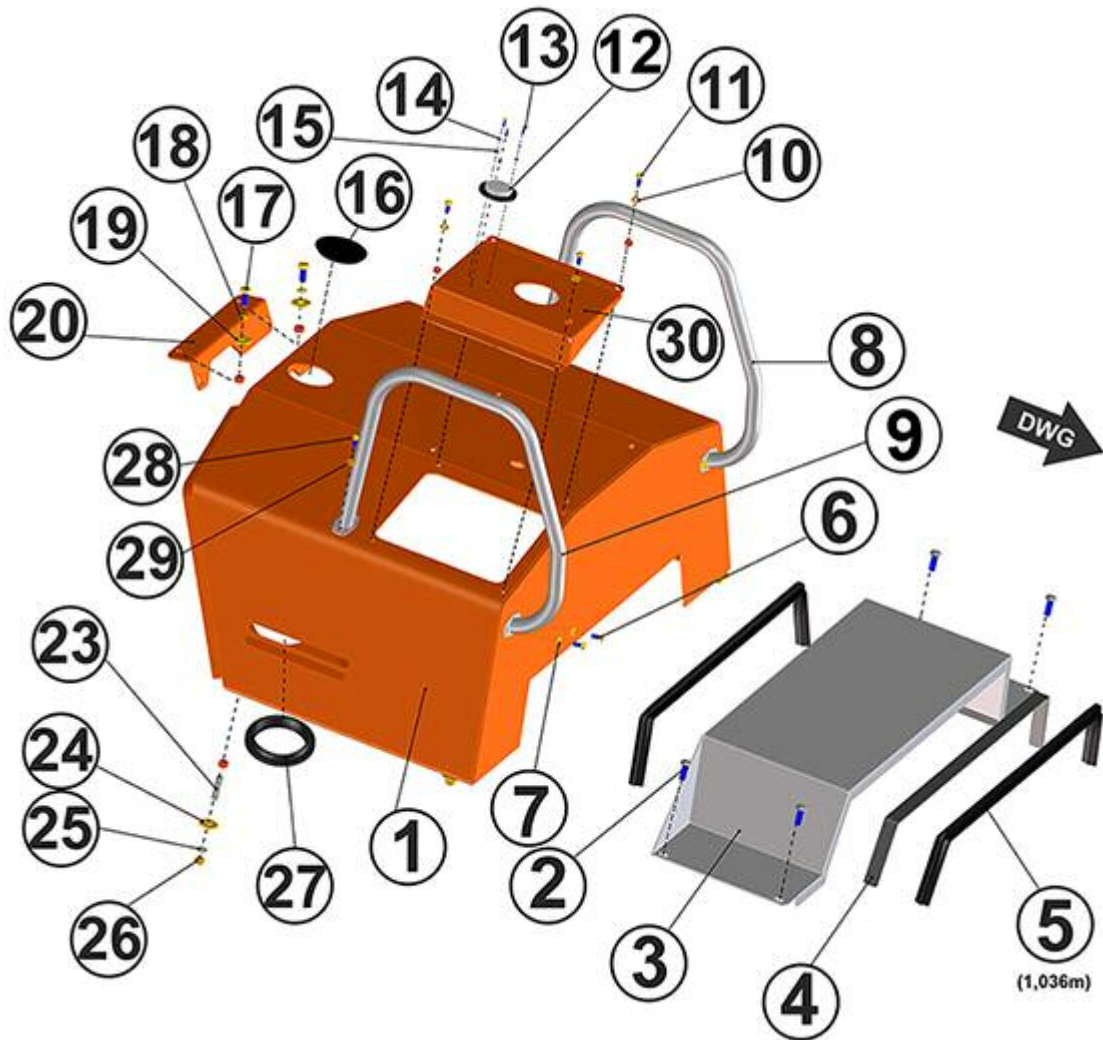


FIGURE	REFERENCE	DENOMINATION	AMOUNT
001	66.08030.00	SEAT COVER	1
002	630.12025.87	SCREW ISO7380 M12X25	4
003	66.08040.00	FLOOR COVER	1
004	66.08050.00	DASHBOARD SUPPORT COVER	2
005	472.00411.00	RUBBER PROFILE MAT.	2
006	630.08020.96	SCREW ISO7380	4
007	101.08000.66	WASHER DIN125 D8	4
008	66.08138.00	LEFT SAFETY BAR	1
009	66.08137.00	RIGHT SAFETY BAR	1
010	101.08000.66	WASHER DIN125 D8	4
011	630.08020.96	SCREW ISO7380	4
012	32.08164.00	MACHINE LEVELING INDICATOR	1

013	630.04015.97	SCREW M4x15 ISO7380	3
014	101.04000.66	WASHER DIN125 D4	3
015	711.04000.66	NUT	3
016	02.00757.01	CAP	1
017	603.12030.86	SCREW DIN933 M12x30	4
018	104.12000.00	WASHER DIN7980 D12	4
019	112.12000.66	WASHER DIN9021 D 12X36	2
020	66.08141.00	SUPPORT ENGINE COVER	1
023	15.00357.00	STUD DIN939 M12x1,75	4
024	112.12000.66	WASHER DIN9021 D 12X36	4
025	104.12000.00	WASHER DIN7980 D12	4
026	701.12000.66	NUT DIN934 M12x1.75	4
027	472.00411.00	RUBBER PROFILE MAT.	1
028	630.08020.96	SCREW ISO7380	4
029	101.08000.66	WASHER DIN125 D8	4
030	66.08133.00	CONTROL VALVE ATTACHMENT SUPPORT	1

**660 80796 - XXX XXXXX**

**08. BODYWORK / PLATES (1)**

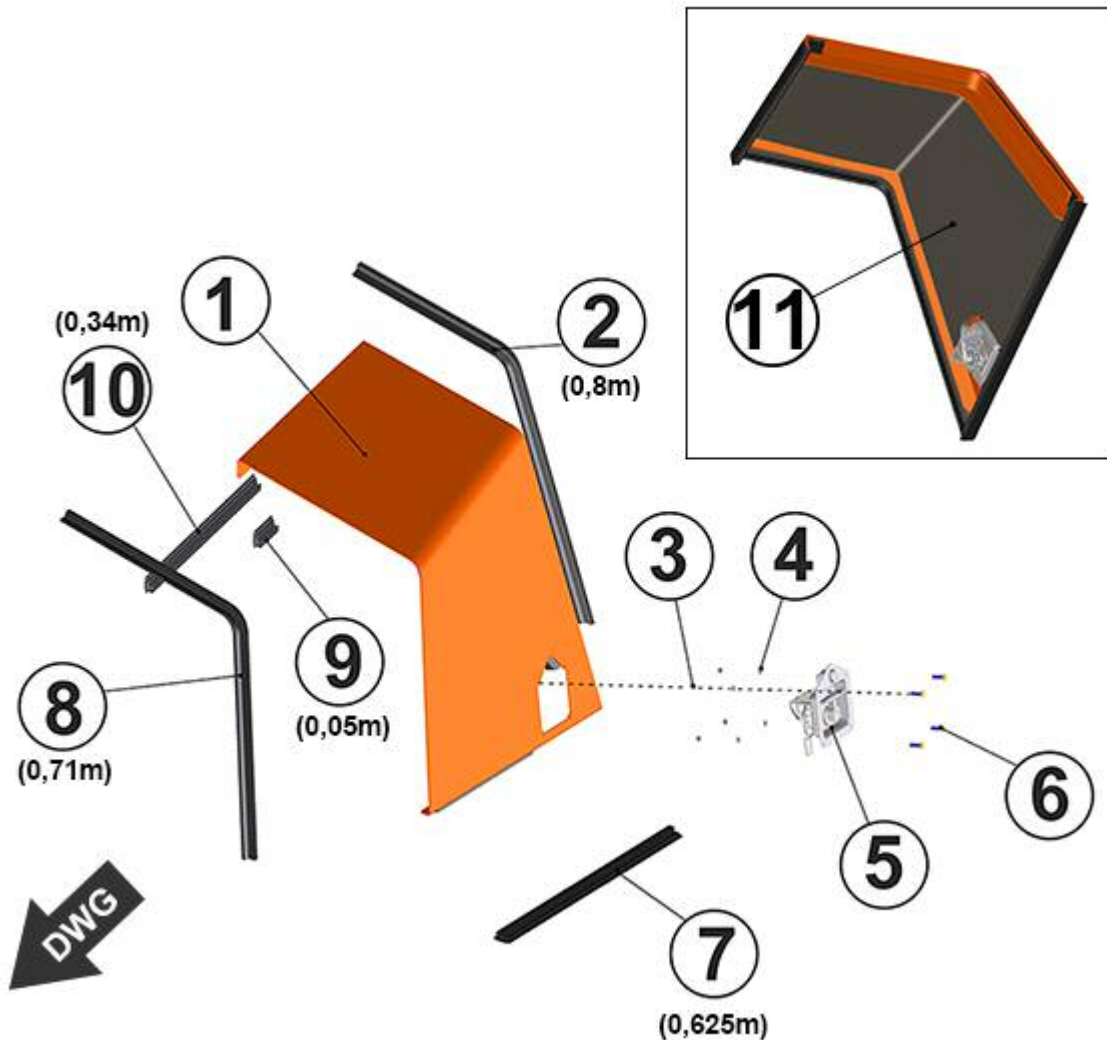


FIGURE	REFERENCE	DENOMINATION	AMOUNT
001	66.08024.00	ENGINE COVER LEFT 6TN.	1
002	472.00411.00	RUBBER PROFILE MAT.	2
003	701.05000.66	NUT DIN934 M5x0.8	8
004	104.05000.00	WASHER DIN7980 D5	8
005	64.08119.00	CLOSING WITH KEY	2
005A	64.08119.99	KEY	1
006	630.05020.96	SCREW ISO7380	8
007	472.00410.00	RUBBER PROFILE 22X22	2
008	472.00411.00	RUBBER PROFILE MAT.	2
009	472.00410.00	RUBBER PROFILE 22X22	2
010	472.00410.00	RUBBER PROFILE 22X22	2



011

66.08065.00

ACOUSTIC INSULATION COVER LEFT 6TN.

1



**660 80796 - XXX XXXXX**

**08. BODYWORK / PLATES (2)**

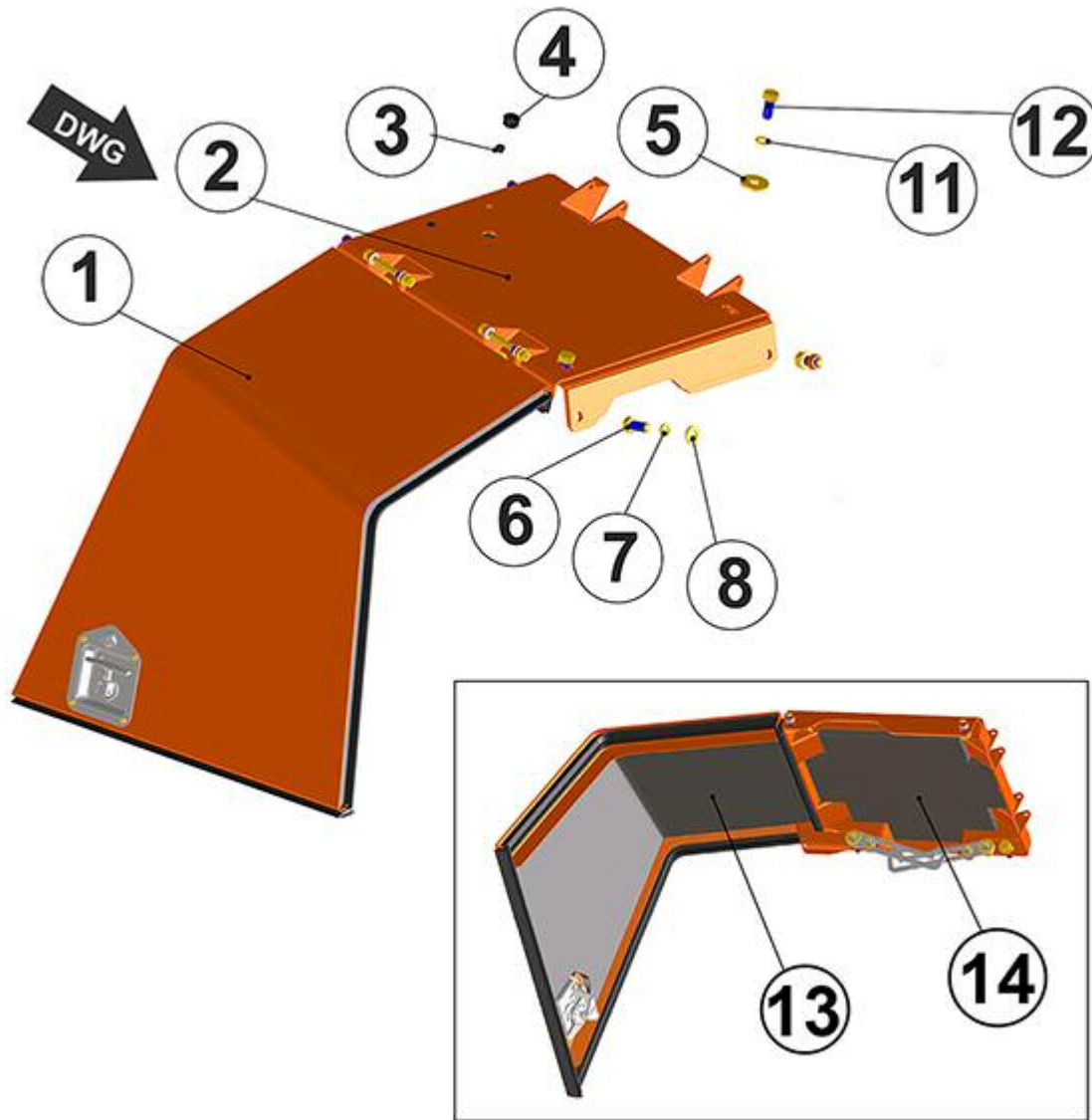


FIGURE	REFERENCE	DENOMINATION	AMOUNT
001	66.08022.00	ENGINE COVER RIGHT 6TN.	1
002	66.08020.00	ENGINE COVER CENTRAL	1
003	02.32008.00	PLASTIC PLUG	2
004	02.32022.00	CAP	1
005	112.12000.66	WASHER DIN9021 D 12X36	2
006	603.12030.86	SCREW DIN933 M12x30	2
007	104.12000.00	WASHER DIN7980 D12	2
008	101.12000.66	WASHER DIN125 D12	2

011	104.12000.00	WASHER DIN7980 D12	2
012	603.12030.86	SCREW DIN933 M12x30	2
013	66.08064.00	ACOUSTIC INSULATION COVER RIGHT 6TN.	1
014	66.08063.00	ACOUSTIC INSULATION COVER CENTRAL	1

**660 80796 - XXX XXXXX**  
**08. BODYWORK / PLATES (3)**

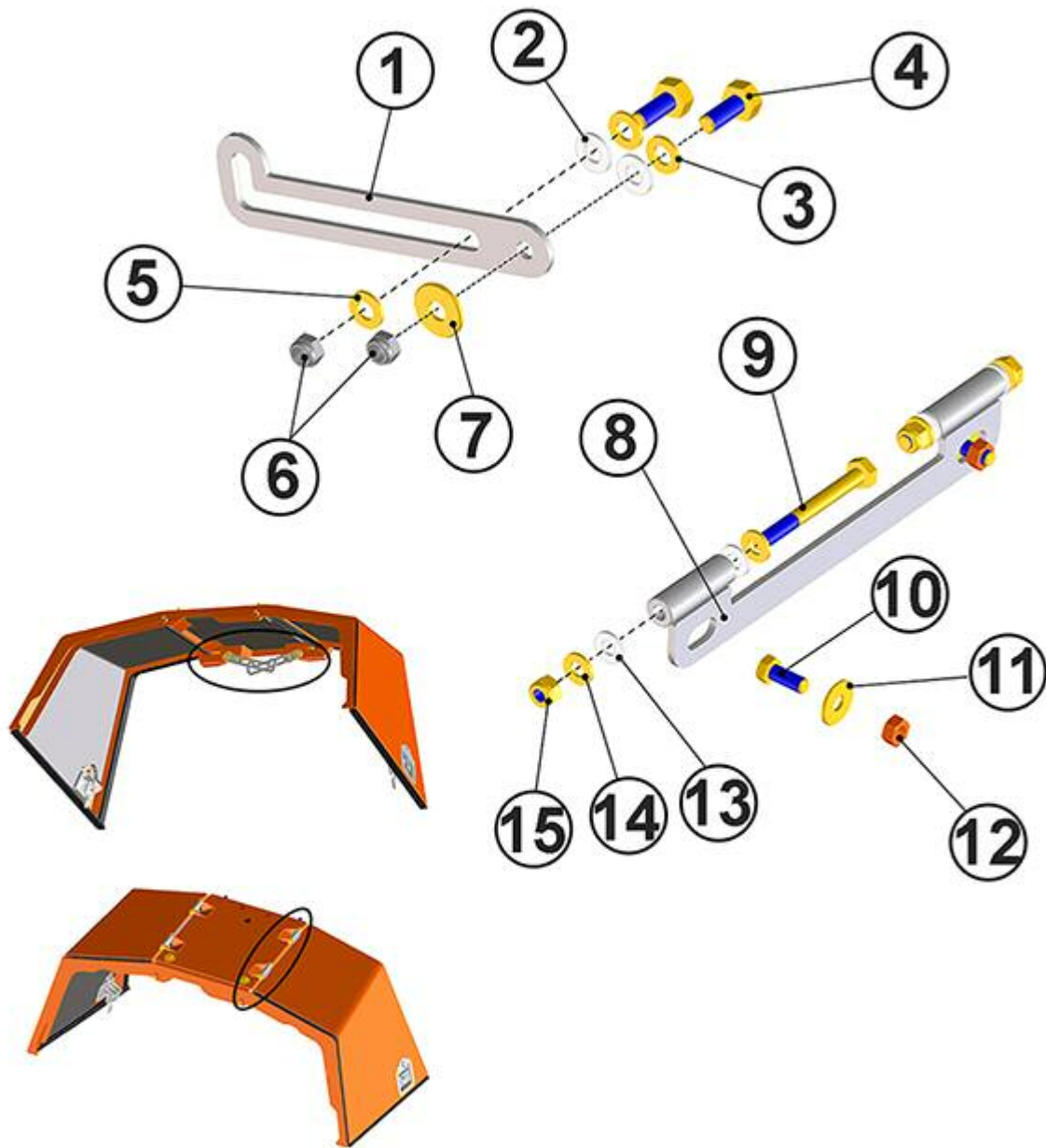


FIGURE	REFERENCE	DENOMINATION	AMOUNT
001	66.08027.00	ENGINE COVER GUIDE	2
002	116.01000.00	WASHER DIN 125 A D10	4
003	101.10000.66	WASHER DIN125 D10	4
004	603.10025.86	SCREW DIN933 M10x25	4
005	101.10000.66	WASHER DIN125 D10	2
006	711.10000.66	SHOCK ABSORBER	4
007	112.10000.66	WASHER DIN9021 D10	2

008	66.08140.00	HINGE 264.5X32X16	2
009	604.08080.86	SCREW DIN931	4
010	603.08020.86	SCREW DIN933 M8x20	4
011	112.08000.66	WASHER DIN9021 D8	4
012	66.08024.00	ENGINE COVER LEFT 6TN.	4
013	116.08000.00	WASHER DIN125 A D8	8
014	101.08000.66	WASHER DIN125 D8	4
015	711.08000.66	NUT DIN982 M8	4

**660 80796 - XXX XXXXX**  
**09. MACHINE OPERATION (1)**

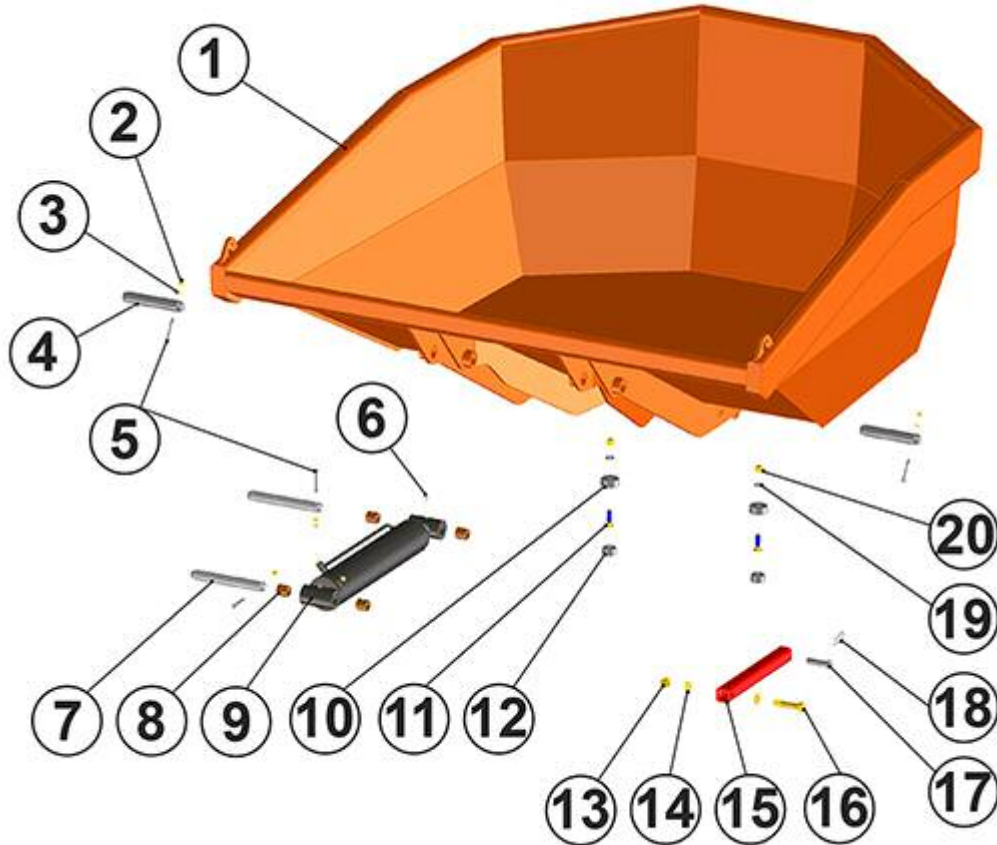


FIGURE	REFERENCE	DENOMINATION	AMOUNT
001	66.09300.00	ROTATORY HOPPER 6TN.	1
002	711.08000.66	NUT DIN982 M8	4
003	101.08000.66	WASHER DIN125 D8	3
004	64.09211.00	AXLE CYL/CYL	2
005	603.08075.86	SCREW DIN933	4
006	901.06000.33	GREASER DIN71412-A	2
007	64.09115.00	CYL/CYL AXLE 35X290	2
008	949.03540.00	BUSHING 35x40 DIN 1494	4
009	64.09213.01	CYLINDER D/E 110X550	1
010	20.03003.00	SHOCK ABSORVER SUPPORT	2
011	618.16060.86	FLAT HEAD SOCKET CAP SCREW DIN7991 M16x60	2
012	20.03002.00	BUTT	2
013	711.20000.66	NUT	1

014	101.20000.66	WASHER DIN125	2
015	64.09215.00	SUPPORT 50x50x5, HOSE GUIDE	1
016	604.20100.86	SCREW DIN931	1
017	64.09216.00	SHAFT CYL/CYL 30x20x90	1
018	15.00836.00	PIN DIN11024 R4	1
019	101.16000.66	WASHER DIN125 D16	2
020	711.16000.66	NUT DIN982 M16 8.8 K	2

**660 80796 - XXX XXXXX**

**09. MACHINE OPERATION (2)**

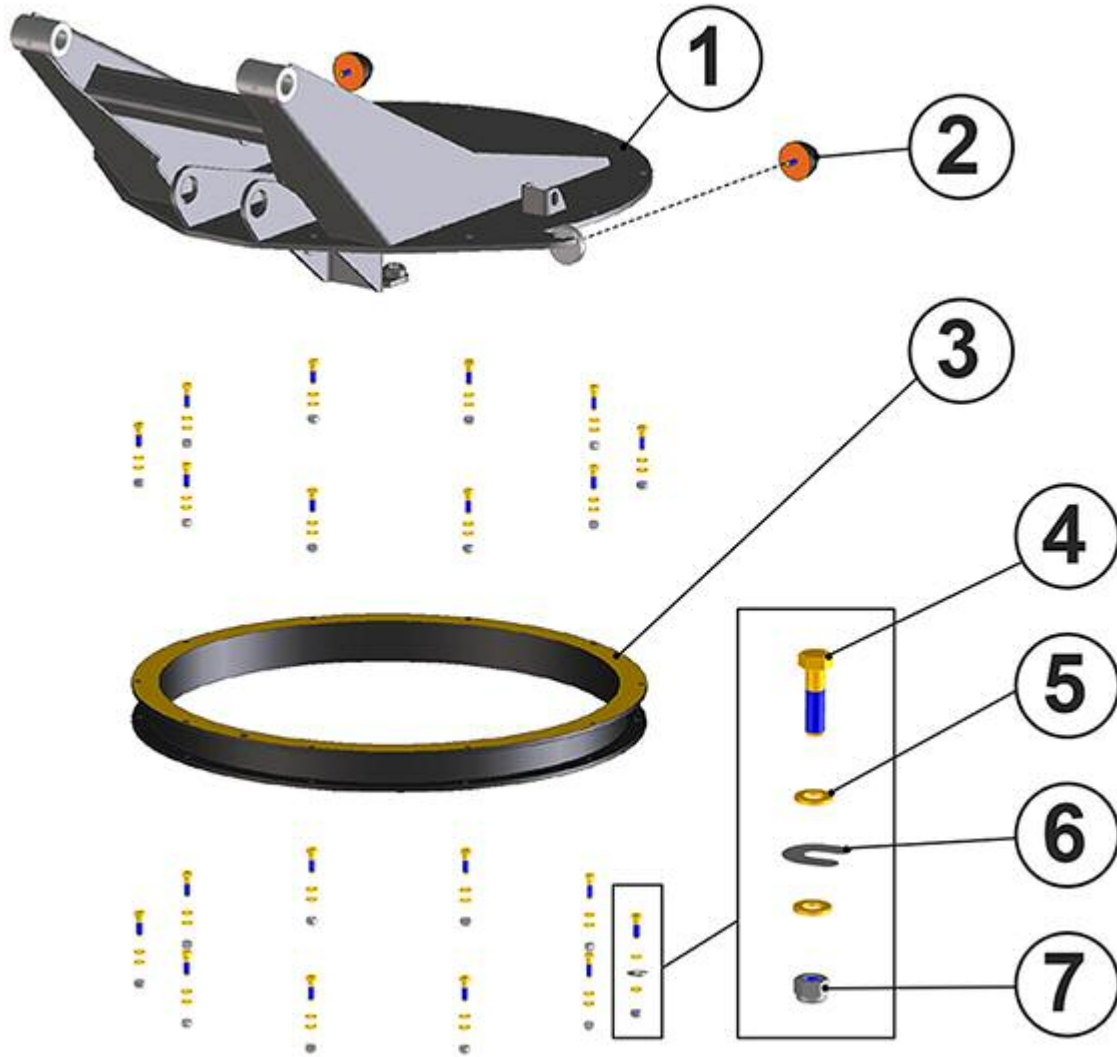


FIGURE	REFERENCE	DENOMINATION	AMOUNT
001	66.04300.00	FRAME ROT. HOPPER 6TN.	1
002	32.08021.00	PROGRESSIVE SHOCK TOP	1
003	64.09212.00	CYL. CROWN	1
004	604.12045.96	SCREW DIN931 M12x45	20
005	101.12000.66	WASHER DIN125 D12	40
006	64.09217.00	SUPPLEMENT 0.2x14	1
007	711.12000.86	NUT DIN982 M12 C8	20

660 80796 - XXX XXXXX

09. MACHINE OPERATION (3)

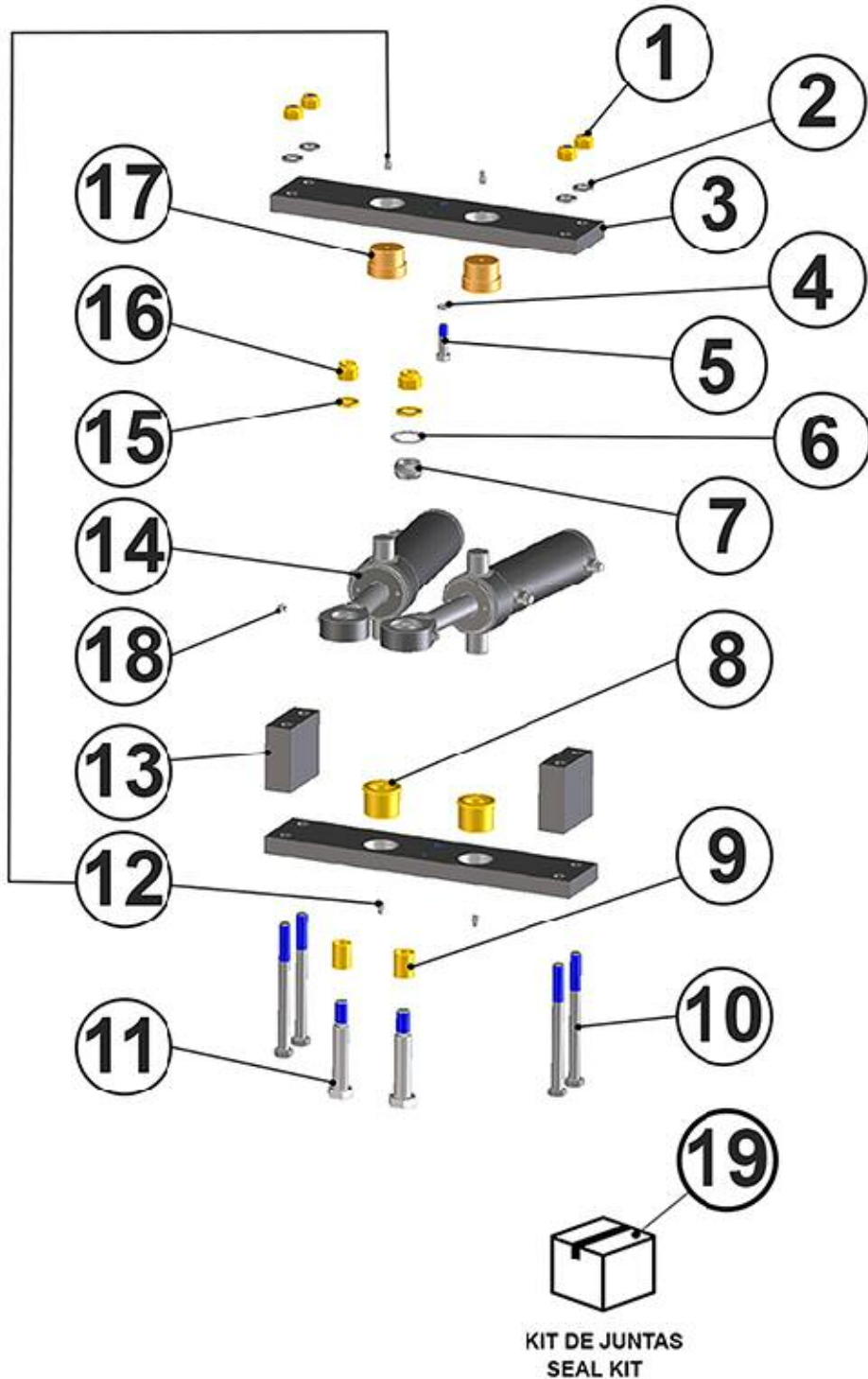


FIGURE	REFERENCE	DENOMINATION	AMOUNT
--------	-----------	--------------	--------



001	711.16000.86	NUT DIN982 M16 C8	4
002	101.16000.66	WASHER DIN125 D16	4
003	64.04226.00	SUPPORT 25x100x490, FIXING	2
004	104.12000.00	WASHER DIN7980 D12	1
005	604.12045.86	SCREW DIN931	1
008	64.04228.00	BUSHING 9,5x32x51	2
009	64.04230.00	BUSHING 2.5x25x30	2
010	604.16190.97	SCREW DIN931 M16X190 12K	4
011	64.04225.00	SHAFT 36x20x140	2
012	901.08000.33	GREASER DIN71412-A M8x1,25	4
013	64.04227.00	SUPPORT 50x100x100, FIXING	2
014	64.09214.03	CYLINDER D/E 70X152X351	1
015	101.20000.66	WASHER DIN125	2
016	711.20000.66	NUT	2
017	64.04229.01	BUSHING 32x51x56	2
018	901.06000.33	GREASER DIN71412-A	2

## 660 80796 - XXX XXXXX

### 10. HYDRAULIC / CONNECTIONS

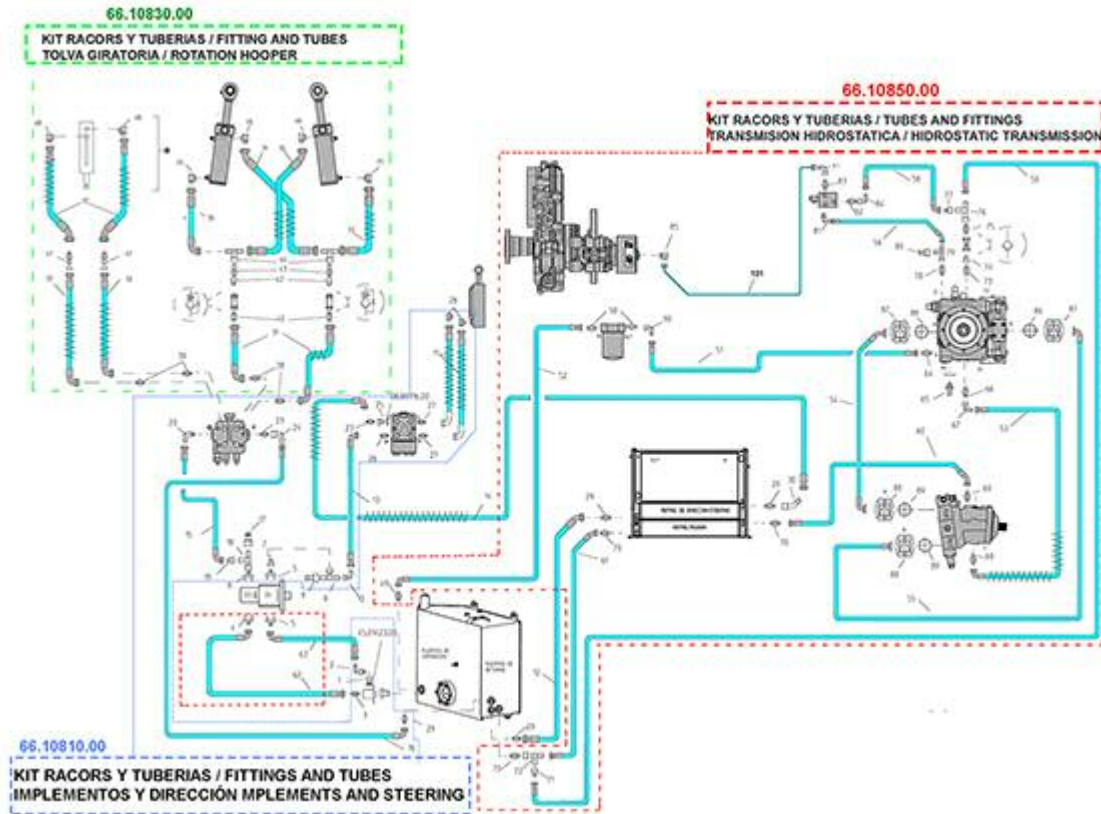


FIGURE	REFERENCE	DENOMINATION	AMOUNT
001	43.60233.91	FITTING	1
001	66.10867.00	FITTING MB M42X2-MM M45X2	1
002	66.10805.00	FITTING C90MO/M MB3/4"BSP-M36x2	1
003	12.10301.00	FITTING	1
004	66.10808.00	FLANGE RGB STRAIGHT D40 MM M36	1
004	66.10808.00	FLANGE RGB STRAIGHT D40 MM M36	1
005	48.10026.00	FLANGE	1
005	48.10026.00	FLANGE	1
006	66.10807.00	FLANGE RGB-REC-D35MM-M22Junta	1
007	48.10423.00	FITTING	1
008	48.10326.00	FITTING	1
009	64.10227.00	FITTING	1
009	64.10227.00	FITTING	1
010	48.10223.00	FITTING	1
011	66.10811.00	TUBE (EN853-1SN)-3/8" 905 TL-	2
012	66.10812.00	TUBE (EN853-1SN)-3/4" 1240 TL	1
013	66.10813.00	TUBE (EN853-2SN)-5/8" 900 TL-C	1

014	66.10814.00	TUBE (EN853-1SN)-3/4" 2815 TL	1
015	66.10815.00	TUBE (EN857-1SC)-1" 635 TL-C	1
016	66.10816.00	TUBE (EN857-1SC)-1" 675 TL-C	1
017	64.10226.00	FITTING	1
018	46.10911.00	FITTING	1
019	66.10803.00	FITTING M/TL MM M26X1.5 (L18) TL	1
020	20.10550.00	FITTING	1
023	48.10437.00	FITTING	2
024	46.58004.00	FITTING	1
025	39.05924.00	FITTING	1
026	48.10433.00	FITTING	1
027	70.10229.00	FITTING	2
028	48.10934.00	FITTING	2
029	57.10307.00	FITTING	4
030	46.10450.00	FITTING	1
031	66.10831.00	TUBE (EN853-1SN)-5/16" 2320 C	2
032	66.10832.00	TUBE (EN853-1SN)-3/8" 3460 CO	2
033	66.10833.00	TUBE (EN853-1SN)-5/16" 630 CO	1
034	66.10834.00	TUBE (EN853-1SN)-5/16" 700 CO	1

## 660 80796 - XXX XXXXX

### 10. HYDRAULIC / CONNECTIONS

FIGURE	REFERENCE	DENOMINATION	AMOUNT
035	66.10835.00	TUBE (EN853-1SN)-5/16" 635 CO	1
036	66.10836.00	TUBE (EN853-1SN)-5/16" 575 CO	1
037	66.10837.00	TUBE (EN853-1SN)-3/8" 595 CON	2
038	46.10825.00	FITTING	2
039	48.10159.00	FITTING	2
040	46.10849.00	FITTING	2
042	30.10335.00	FITTING	2
043	48.10109.00	FITTING	2
044	70.10258.00	FITTING	2
045	48.10313.00	FITTING	2
046	48.10764.00	FITTING	2
047	70.10255.00	FITTING	2
048	48.10934.00	FITTING	2
049	46.10410.00	FITTING	2
050	39.05924.00	FITTING	1

051	66.10851.00	PIPE R4-1.1/4"625TLC90M45X2 35L	1
052	66.10852.00	TUBE (SAE100-R4)-1.1/4" 880 TL-	1
053	66.10853.00	TUBE (EN857-1SC)-3/4" 1905 TL-	1
054	66.10854.00	TUBE (EN856-4SH)-1" 1065 BD45	1
055	66.10855.00	TUBE (EN856-4SH)-1" 1165 BD90	1
056	66.10856.00	TUBE (EN853-1SN)-1/4" 530 TL-	1
057	66.10866.00	MB/M MB1 1/4"BSP-MM M45X2L35	2
058	66.10858.00	TUBE (EN853-1SN)-1/4" 510 TL-	1
059	66.10859.00	PIPE 1/2"480TL-TL M22x1.5-15L	1
060	66.10860.00	TUBE (EN853-1SN)-3/4" 1750 TL-	1
061	66.10861.00	TUBE (EN853-1SN)-3/4" 1165 TL-	1
062	66.10862.00	TUBE (SAE100-R17)-1" 625 TL- C	1
063	66.10863.00	TUBE (SAE100-R17)-1" 655 TL- C	1
065	66.10868.00	HOSE COUP. MM M14X1.5	1
066	48.10408.00	RACCORD M/M	1
067	46.58004.00	FITTING	1
068	66.10804.00	MB M33X2-MM M30X2 L22	1
069	30.10801.00	FITTING MB/M MB M27 - MM M30	1
070	57.10307.00	FITTING	3
071	57.10311.00	FITTING	1
072	48.10453.00	RACOR M/TL -MF M22X1,5 / TL M3	1

## 660 80796 - XXX XXXXX

### 10. HYDRAULIC / CONNECTIONS

FIGURE	REFERENCE	DENOMINATION	AMOUNT
073	48.10445.00	RACOR M/M MB26X1,5-MM M26X1.5	1
074	48.10234.00	"RACOR M/TL MF1/2""BSP / M26X1,5"	1
075	48.10235.00	RACOR M/M -1/2"BSP / M22X1,5	1
076	46.10911.00	FITTING	1
077	66.10865.00	MB/M MB 1" BSP-MM M45X2 L35	1
078	48.10943.00	RACOR	1
079	46.10401.00	FITTING	1
080	46.10402.00	COUPLING	1
081	48.10313.00	FITTING	1
082	66.10875.00	FITTING MB/M MB 1/4" BSP-MM M14	1
083	17.10169.00		1
084	46.58112.00		1
085	66.10869.00	C90TO/M MB M10X1-MM M12X1.5L6	1



086	30.10302.00	GASKET 1	2
087	46.10845.00	CLAMP SAE6000 1	2
089	66.10802.00	RUBBER SEAL REC. POLIU.1 1/4"	2
090	48.10322.00	FITTING C90M/TL M45X2	1
091	33.10201.00	C90M/TL CONNECTOR M12X1, 5	1
101	66.10876.00	RIGID TUBE NEGATIVE BRAKE D6X4	1

**660 80796 - XXX XXXXX**  
**10. HYDRAULIC TANK**

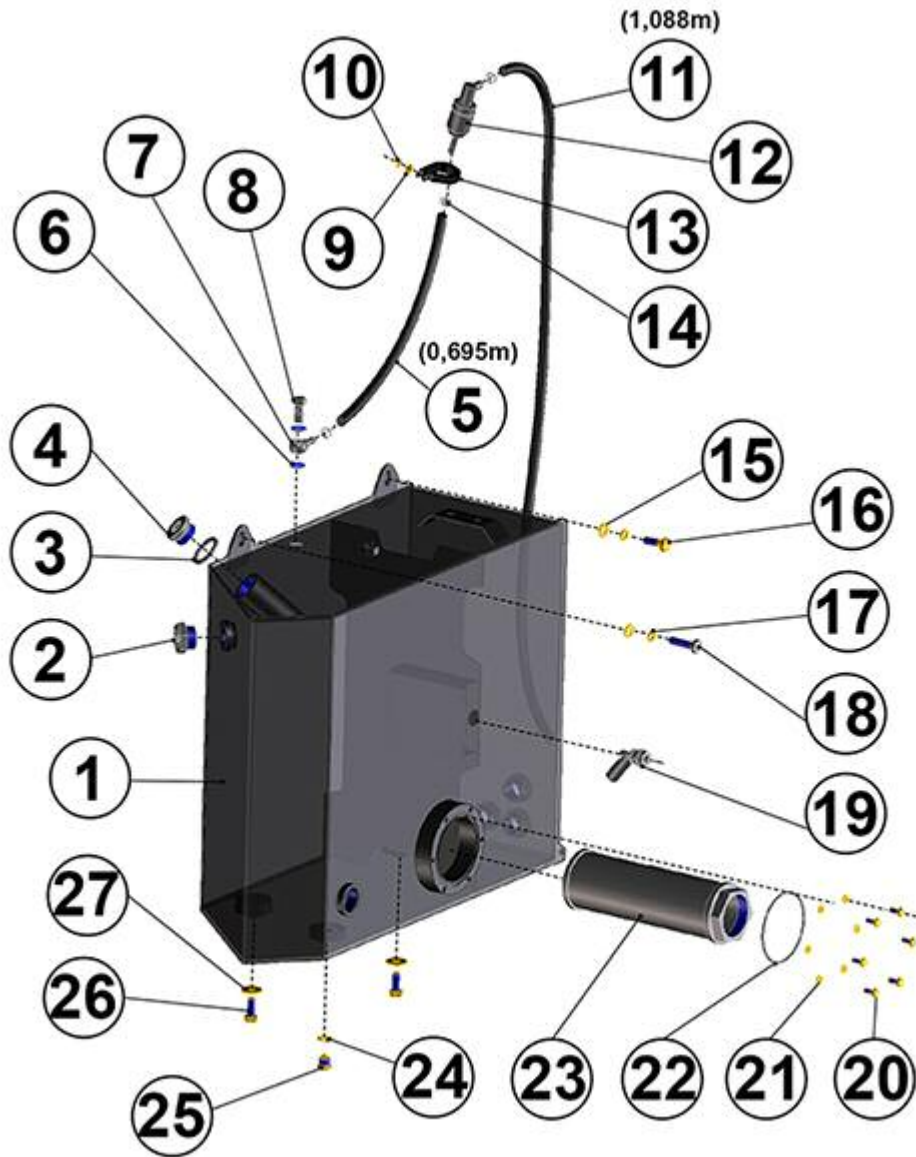


FIGURE	REFERENCE	DENOMINATION	AMOUNT
001	66.10050.00	TANK 65 L OIL	1
002	30.10041.00	LEVEL VISUAL INDICATOR 1	1
003	43.13444.00	GASKET MET. BUNA	1
004	70.10246.00	CAP	1
005	469.25015.00	TUBE MAT. B/P 10x15	1
006	28.00341.00	METALLIC GASKET BUNA D1/4	2
007	45.04106.00	NIPPLE O/TB	1

008	28.00340.00	SIMPLE SCREW FITTING 1/4 Gx26	1
009	701.06000.66	NUT DIN934 M6X1	1
010	104.06000.00	WASHER DIN7980 D6	1
011	469.25015.00	TUBE MAT. B/P 10x15	1
012	45.01526.00	PREFILTER FUEL/HYDRAULIC	1
013	830.03006.00	CLAMP LOOP	1
014	948.01408.00	CLAMP Ø14	3
015	101.10000.66	WASHER DIN125 D10	2
016	604.10030.86	SCREW DIN931	1
017	104.10000.00	WASHER DIN7980 D10	2
018	603.10040.86	BOLT DIN933 M10x40	1
019	43.70261.00	OIL LEVEL INDICATOR BUOY	1
020	603.06015.86	SCREW DIN933 M6x15	6
021	104.06000.00	WASHER DIN7980 D6	6
022	201.95003.50	O-RING DIN3770	1
023	46.10047.00	OIL FILTER 180 L	1
024	107.14000.10	WASHER AL 14x20x1.5	1
025	10.00921.00	CAP M14X150 DIN908	1
026	603.10025.86	SCREW DIN933 M10x25	2
027	112.10000.66	WASHER DIN9021 D10	2

660 80796 - XXX XXXXX

10. HYDRAULIC / VALVES

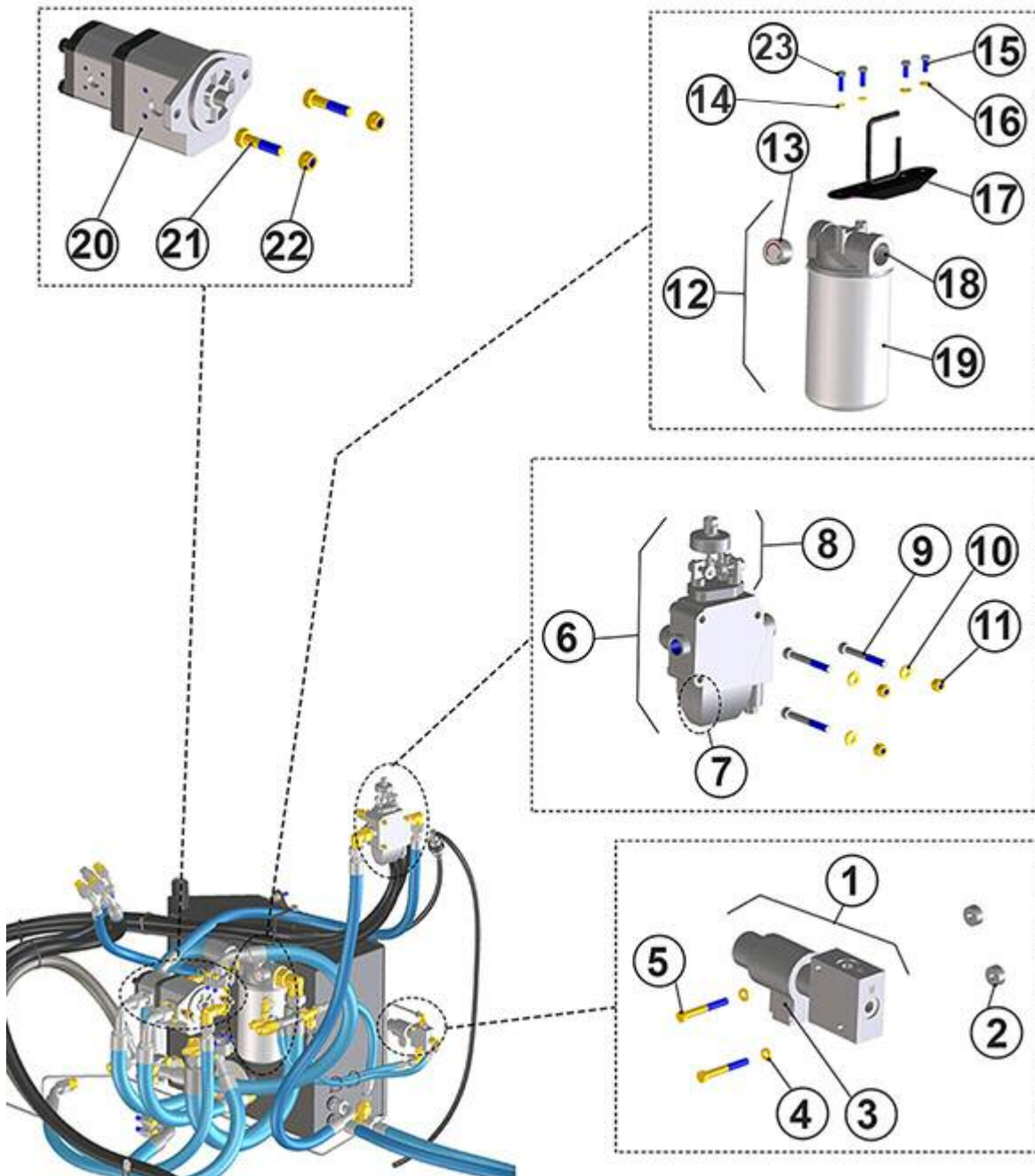


FIGURE	REFERENCE	DENOMINATION	AMOUNT
001	46.15005.00	3 WAY SELECTOR VALVE	1
002	20.10010.01	PIN SUPPORT 8X17	2
004	104.06000.00	WASHER DIN7980 D6	2
005	604.06050.86	SCREW DIN931	2
006	66.10302.00	DISTRIBUTOR 2/E LIMITER	1
009	601.08065.86	SCREW DIN912 M8x65	3



010	101.08000.66	WASHER DIN125 D8	3
011	711.08000.66	NUT DIN982 M8	3
012	60.20101.00	COMPLETE OIL FILTER	1
013	60.20102.00	INDICATOR	1
014	104.08000.00	WASHER DIN7980 D8	2
015	603.08020.86	SCREW DIN933 M8x20	2
016	101.08000.66	WASHER DIN125 D8	2
017	66.10482.00	FILTER SUPPORT	1
019	60.20100.00	FILTER ELEMENT	1
020	66.10100.00	DOUBLE HYDR. PUMP 24CC	1
021	604.14060.86	SCREW DIN931	2
022	711.14000.66	NUT DIN982 M14 8.8 K	2
023	603.08025.86	SCREW DIN933 M8x25	2

# 660 80796 - XXX XXXXX

## 10. HYDRAULIC / JOYSTICK

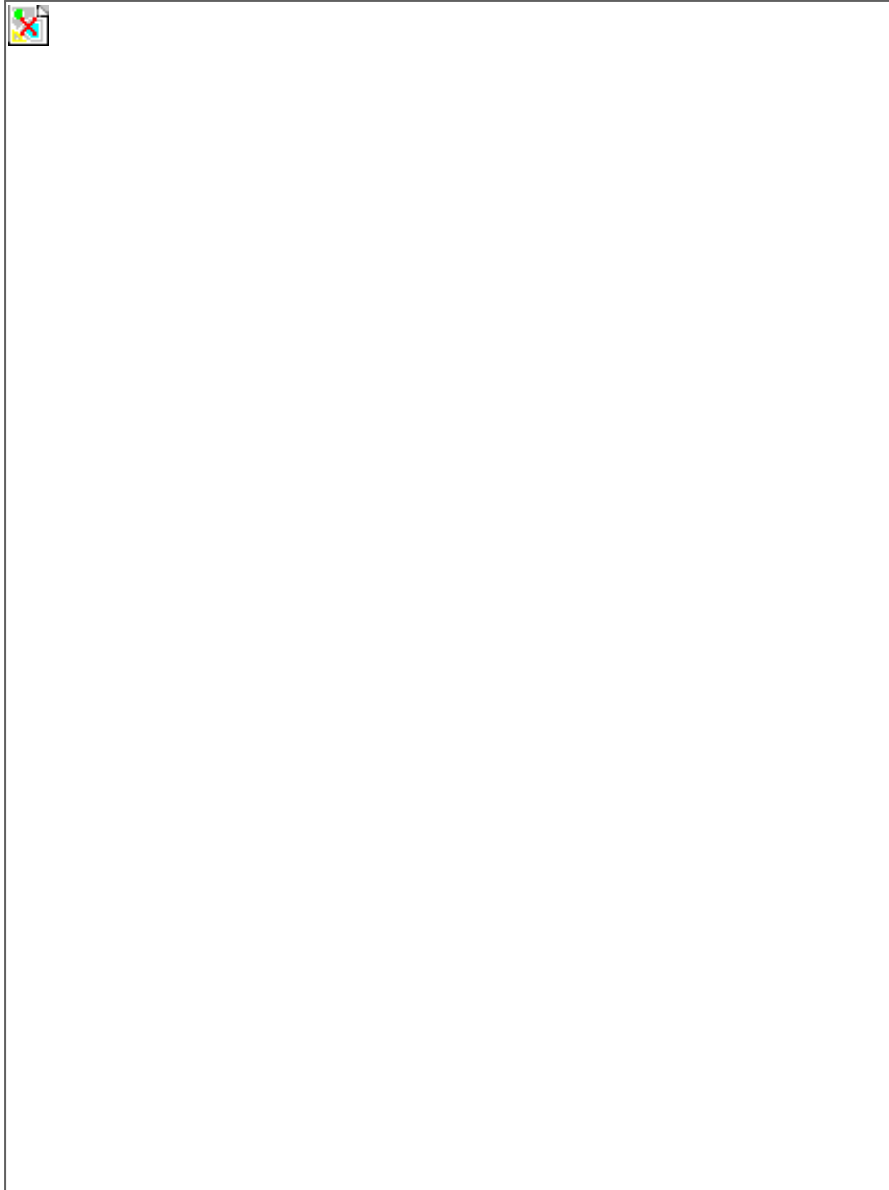


FIGURE	REFERENCE	DENOMINATION	AMOUNT
001	66.11108.00	JOYSTICK	1
002	10.13154.02	AXIS CIL/ROS 180XD25XM10	1
003	43.50349.00	DUST PROTECTOR	1

## 660 80796 - XXX XXXXX

### 10. HYDRAULIC / JOYSTICK

CHASSIS: 85629

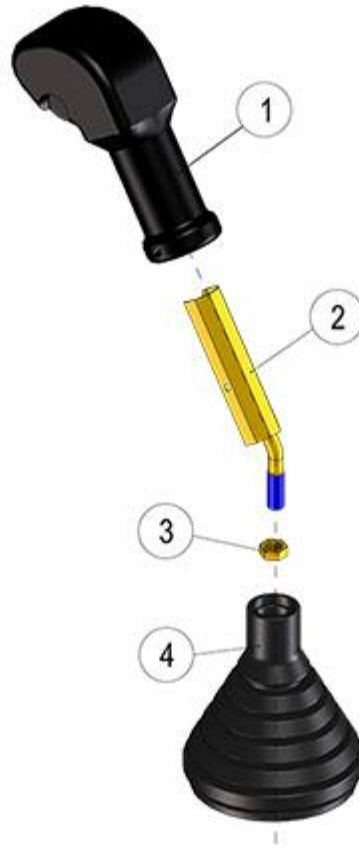


FIGURE	REFERENCE	DENOMINATION	AMOUNT
001	66.11108.01		1
002	10.13154.02	AXIS CIL/ROS 180XD25XM10	1
003	701.10000.66	NUT DIN934 M10x1.5	1
004	43.50349.00	DUST PROTECTOR	1

# 660 80796 - XXX XXXXX

## 11. ELECTRIC INSTALLATION / BATTERY (1)

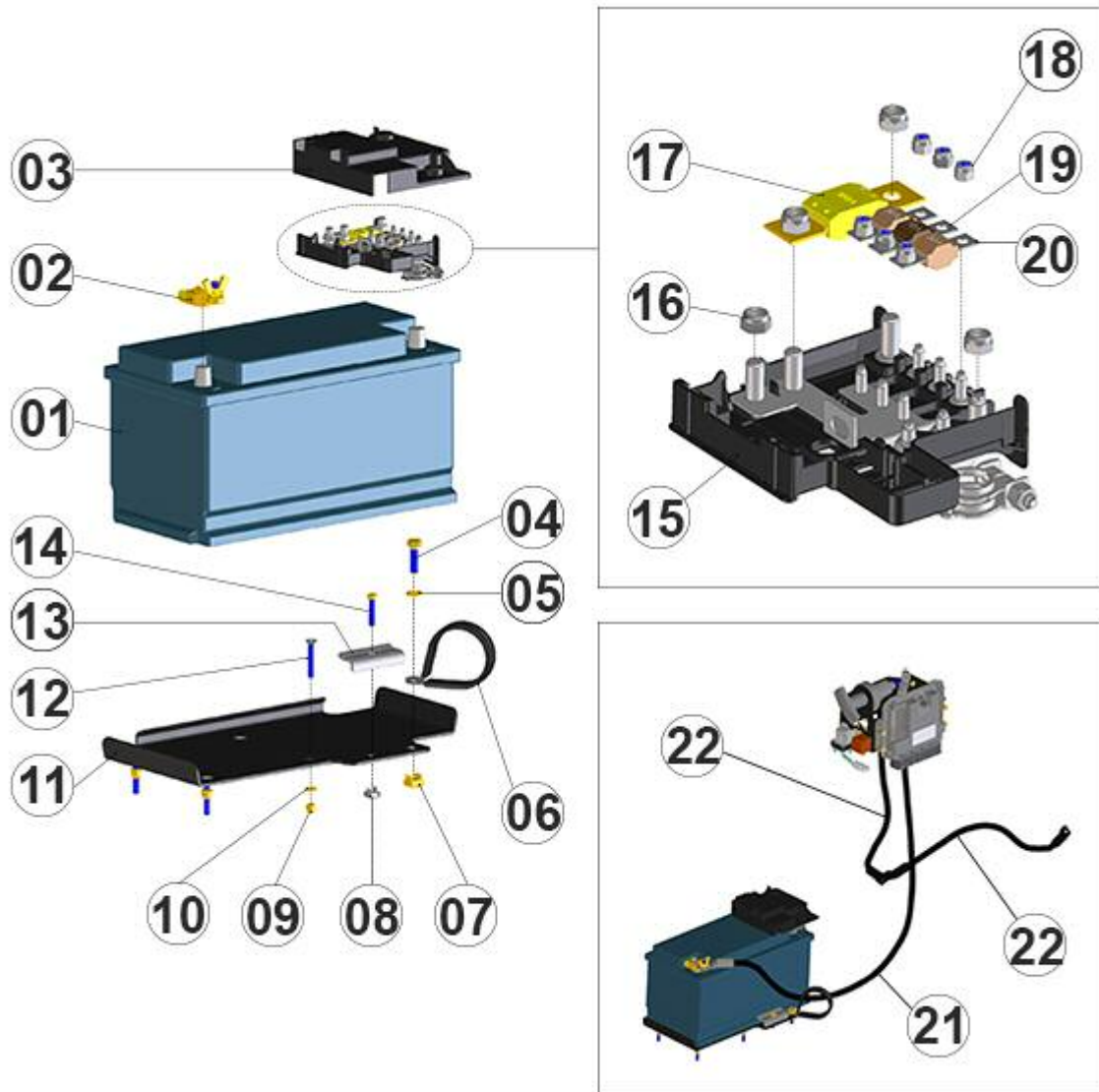


FIGURE	REFERENCE	DENOMINATION	AMOUNT
001	46.11100.00	BATTERY	1
002	20.11007.01	NEGATIVE BATTERY CONNECTOR	1
003	20.11014.00	BATTERY FUSEBOX COVER	1
004	603.08030.86	SCREW DIN933 M8X30	1
005	101.08000.66	WASHER DIN125 D8	1
006	830.06008.00	CLAMP D60X8	1
007	726.08003.66	NUT M8x3	1
008	726.06003.66	CAGED NUT M6x3	1
009	711.06000.66	NUT DIN982 M6	3
010	101.06000.66	WASHER DIN125 D6	3

011	66.11800.00	BATTERY SUPPORT	1
012	618.06040.86	FLAT HEAD SOCKET CAP SCREW DIN7991 M6x40	3
013	20.11101.00	FIXATION SUPPORT 2X10X70	1
014	603.06030.86	SCREW DIN933 M6x30	1
015	20.11009.00	BATTERY FUSE BOX	1
016	711.08000.66	NUT DIN982 M8	4
017	66.11114.00	FUSE 100A GENERAL PROTECTOR	1
018	711.05000.66	NUT DIN982 M5	6
019	20.11011.02	FUSE 70A	1
020	13.11109.00	30A FUSE	2
021	66.11203.00	ELECTRIC WIRE 50X1350MM M10-M8	1
022	64.11006.00	BATTERY NEGATIVE WIRE	2

## 660 80796 - XXX XXXXX

### 11. ELECTRIC INSTALLATION / BATTERY (2)

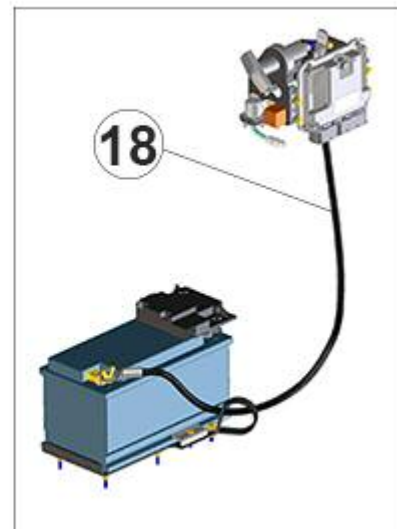
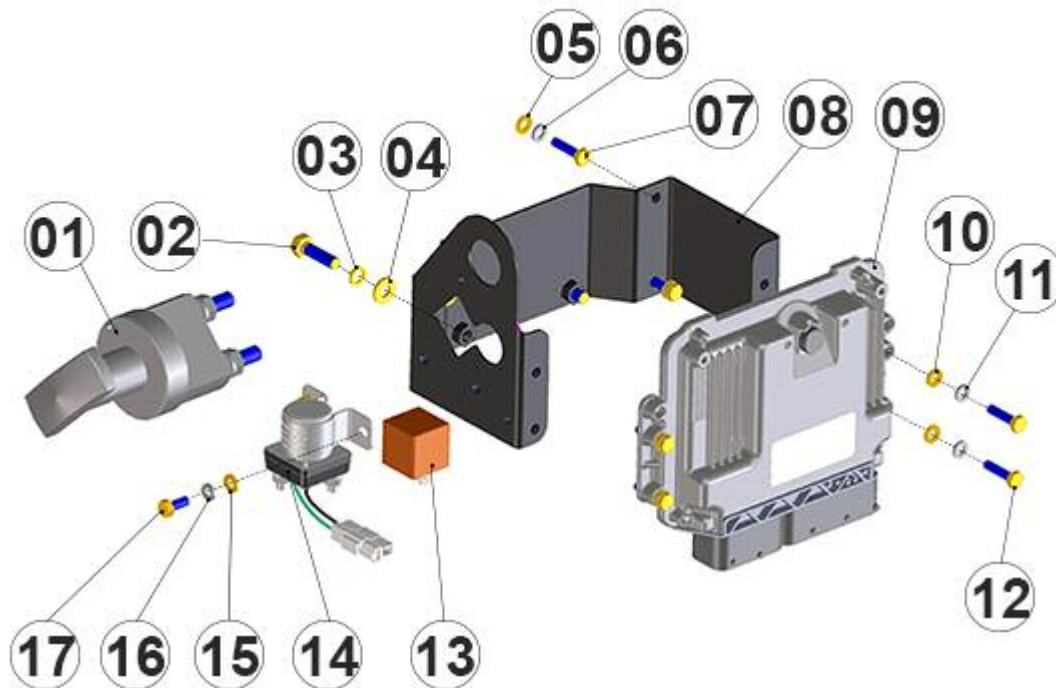


FIGURE	REFERENCE	DENOMINATION	AMOUNT
001	63.11111.00	NEGATIVE BATTERY DISCONNECTOR	1
002	603.08030.86	SCREW DIN933 M8X30	2
003	104.08000.00	WASHER DIN7980 D8	2
004	101.08000.66	WASHER DIN125 D8	2
005	101.06000.66	WASHER DIN125 D6	4
006	104.06000.00	WASHER DIN7980 D6	4
007	603.06025.86	SCREW DIN933 M6x25	4

008	66.11110.00	SUPPORT FIXATION ECU	1
009	66.11120.00	ECU BRR RC10-10/31	1
010	101.06000.66	WASHER DIN125 D6	4
011	104.06000.00	WASHER DIN7980 D6	4
012	603.06025.86	SCREW DIN933 M6x25	4
013	43.01530.02	RELAY 40 AMP. 5 CONTAC. 6.3MM	1
014	64.11041.00	RELAY 12V 100A	1
015	101.06000.66	WASHER DIN125 D6	2
016	104.06000.00	WASHER DIN7980 D6	2
017	603.06015.86	SCREW DIN933 M6x15	2
018	66.11203.00	ELECTRIC WIRE 50X1350MM M10-M8	1

# 660 80796 - XXX XXXXX

## 11. ELECTRIC INSTALLATION / DASHBOARD

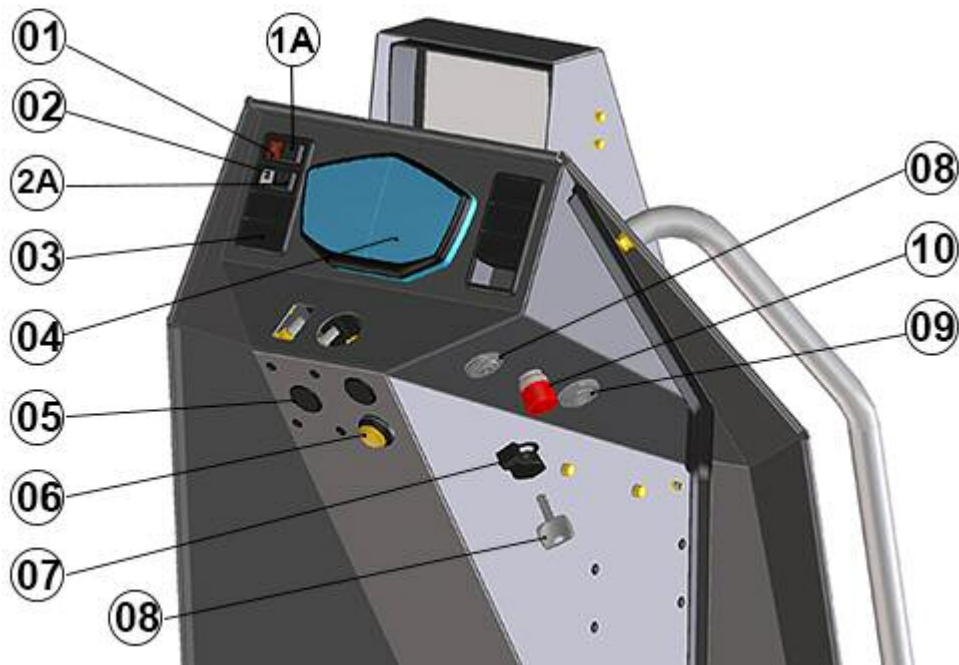
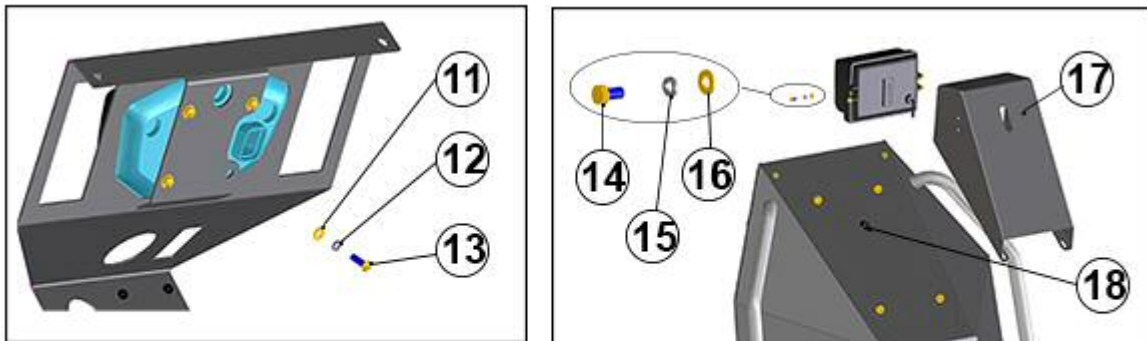


FIGURE	REFERENCE	DENOMINATION	AMOUNT
001	66.11103.00	COVER PARKING SWF 270°	1
002	66.11116.00	COVER DIAGNOSIS ENGINE SWF 270°	1
003	12.11024.00	SWITCH CAP	1
004	66.11104.00	DISPLAY PROGRAMMABLE LCD 4" COL	1
005	13.08035.00	COUNTERWEIGHT CAP	1
006	IM.20013.00	SWITCH	1
007	12.11034.00	PROTECTOR CONMUT. ARRANQUE	1
008	32.08172.00	MAIN SWITCH WITH KEY ASSEMBLY	1
009	12.11033.01	CONTACT ACOUSTIC SIGNAL	1
010	48.11590.00	SWITCH EMERGENCY 1 CONTONTACTOR NC	1
011	101.05000.66	WASHER DIN125 D5	4
012	104.05000.00	WASHER DIN7980 D5	4



013	630.05015.96	SCREW ISO7380 M5x15	4
014	603.05010.86	SCREW DIN933 M5x10	4
015	104.05000.00	WASHER DIN7980 D5	4
016	101.05000.66	WASHER DIN125 D5	4
017	66.08129.00	DISPLAY ATTACHMENT SUPPORT	1
018	02.32022.00	CAP	1
01A	30.11008.00	SWITCH ON-ON 1P SWF	1
02A	30.11012.00	SWITCH OFF-ON 1P SWF	1

## 660 80796 - XXX XXXXX

### 11. ELECTRIC INSTALLATION / DASHBOARD

CHASSIS: 86806

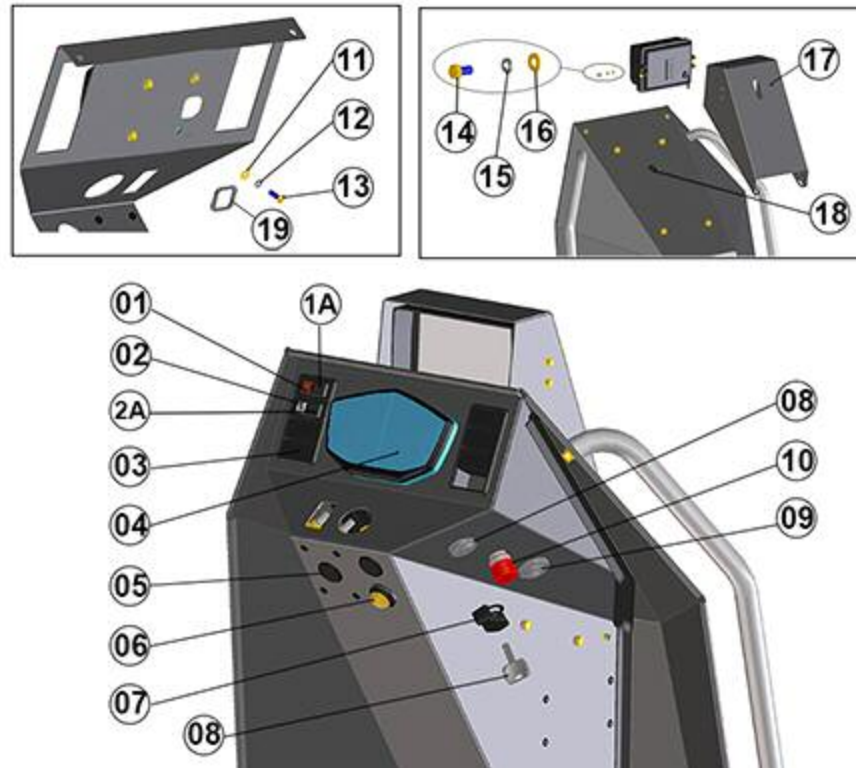


FIGURE	REFERENCE	DENOMINATION	AMOUNT
001	66.11103.00	COVER PARKING SWF 270°	1
002	66.11116.00	COVER DIAGNOSIS ENGINE SWF 270°	1
003	12.11024.00	SWITCH CAP	1
004	66.11104.00	DISPLAY PROGRAMMABLE LCD 4" COL	1
005	13.08035.00	COUNTERWEIGHT CAP	1
006	IM.20013.00	SWITCH	1
007	12.11034.00	PROTECTOR CONMUT. ARRANQUE	1
008	32.08172.00	MAIN SWITCH WITH KEY ASSEMBLY	1
009	12.11033.01	CONTACT ACOUSTIC SIGNAL	1
010	48.11590.00	SWITCH EMERGENCY 1 CONTONTACTOR NC	1
011	101.05000.66	WASHER DIN125 D5	4
012	104.05000.00	WASHER DIN7980 D5	4
013	630.05015.96	SCREW ISO7380 M5x15	4
014	603.05010.86	SCREW DIN933 M5x10	4
015	104.05000.00	WASHER DIN7980 D5	4
016	101.05000.66	WASHER DIN125 D5	4
017	66.08129.00	DISPLAY ATTACHMENT SUPPORT	1



018	02.32022.00	CAP	1
019	66.11037.00	ADHESIVE FOAM SEALER	1
01A	30.11008.00	SWITCH ON-ON 1P SWF	1
02A	30.11012.00	SWITCH OFF-ON 1P SWF	1

## 660 80796 - XXX XXXXX

### 11. ELECTRIC INSTALLATION / WIRING (1)



FIGURE	REFERENCE	DENOMINATION	AMOUNT
001	66.11201.00	WIRE 25X1000MM M10-M8	1
002	66.11200.00	WIRE 50X1000MM M8-M8 90	1
003	66.11002.00	WIRING ECU MOTOR DEUTZ	1
004	701.08000.66	NUT DIN934 M8X1,25	1
005	101.08000.66	WASHER DIN125 D8	1
006	104.08000.00	WASHER DIN7980 D8	1
007	604.08025.86	SCREW DIN931	1
008	830.03508.00	CLAMP D35X8	1
009	830.04006.00	CLAMP LOOP D40x6	1
010	104.06000.00	WASHER DIN7980 D6	1
011	604.06030.86	SCREW DIN931	1
012	32.11039.00	STARTER RUBBER TERMINAL PROTECTOR	1
013	32.11046.00	ALTERNATOR RUBBER TERMINAL PROTECTOR	1

## 660 80796 - XXX XXXXX

### 11. ELECTRIC INSTALLATION / WIRING (2)



FIGURE	REFERENCE	DENOMINATION	AMOUNT
001	66.11001.00	CHASSIS WIRE	1
002	70.11309.00	HORN	1
003	603.08020.86	SCREW DIN933 M8x20	1
004	830.01408.00	LOOP CLAMP D14x8	1
005	603.08015.86	SCREW DIN933 M8x15	1
006	104.08000.00	WASHER DIN7980 D8	1
007	830.03006.00	CLAMP LOOP	1
008	104.06000.00	WASHER DIN7980 D6	1
009	603.06015.86	SCREW DIN933 M6x15	1
010	840.00004.00	ELECTRIC SUPPORT DELPHI FCI	2
011	66.11121.00	ELECTRIC CONNECTORS SUPPORT (9005)	1
012	101.06000.66	WASHER DIN125 D6	2
013	104.06000.00	WASHER DIN7980 D6	2
014	604.06030.86	SCREW DIN931	1
015	603.06020.86	SCREW DIN933 M6x20	1
016	830.01806.00	CLAMP LOOP	1
017	604.06030.86	SCREW DIN931	1

018	104.06000.00	WASHER DIN7980 D6	1
019	603.06025.86	SCREW DIN933 M6x25	1
020	104.06000.00	WASHER DIN7980 D6	1
021	830.01006.00	CLAMP LOOP D10x6	1
022	603.06020.86	SCREW DIN933 M6x20	1
023	104.06000.00	WASHER DIN7980 D6	1
024	830.02506.00	CLAMP LOOP	1
025	02.14110.03	HORN	1
026	711.08000.66	NUT DIN982 M8	1

# 660 80796 - XXX XXXXX

## 11. ELECTRIC INSTALLATION / WIRING (3)

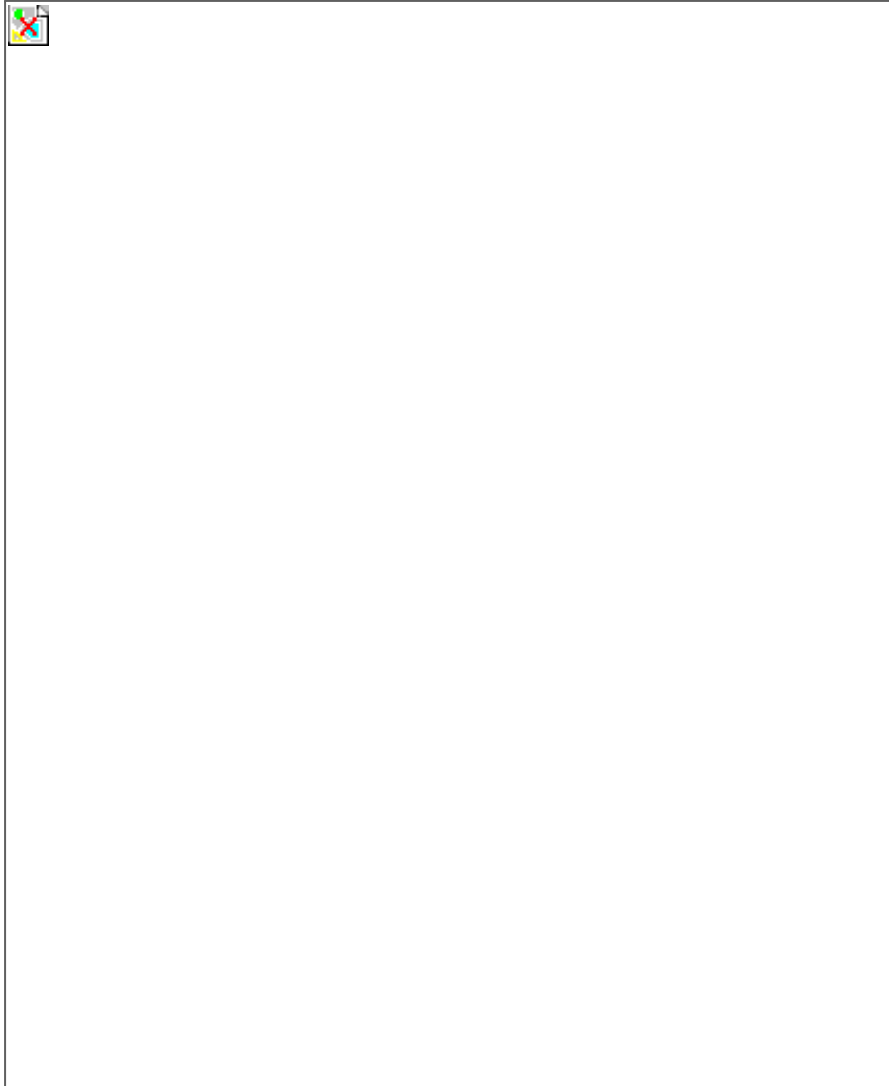


FIGURE	REFERENCE	DENOMINATION	AMOUNT
001	66.11011.00	EXTENSION WIRE 3150 2V 2V	1

# 660 80796 - XXX XXXXX

## 11. ELECTRIC INSTALLATION / WIRING (4)



FIGURE	REFERENCE	DENOMINATION	AMOUNT
001	66.11003.00	WIRE HIYDR. TRANS. BRR	1
002	830.02010.00	FLANGE TIE D20X10	1



**660 80796 - XXX XXXXX****11. ELECTRIC INSTALLATION / WIRING (5)**

<b>FIGURE</b>	<b>REFERENCE</b>	<b>DENOMINATION</b>	<b>AMOUNT</b>
001	66.11006.00	WIRE SEAT AND JOYSTICK	1
002	830.01406.00	CLAMP LOOP	1
003	701.06000.66	NUT DIN934 M6X1	1
004	104.06000.00	WASHER DIN7980 D6	1
005	603.06015.86	SCREW DIN933 M6x15	1

**660 80796 - XXX XXXXX****11. ELECTRIC INSTALLATION / WIRING (6)**

<b>FIGURE</b>	<b>REFERENCE</b>	<b>DENOMINATION</b>	<b>AMOUNT</b>
001	66.11000.00	WIRE INSTRUMENT PANEL	1
002	601.06030.86	HEXAGON SOCKET HEAD SCREW DIN912 M6x30	4
003	104.06000.00	WASHER DIN7980 D6	4

004	101.06000.66	WASHER DIN125 D6	4
005	101.08000.66	WASHER DIN125 D8	2
006	104.08000.00	WASHER DIN7980 D8	2
007	603.08020.86	SCREW DIN933 M8x20	2
008	603.06015.86	SCREW DIN933 M6x15	4
009	104.06000.00	WASHER DIN7980 D6	4
010	66.08127.00	SUPPORT FUSES (9005)	2
011	101.06000.66	WASHER DIN125 D6	4
012	64.11080.00	DEUTZ THROTTLE PEDAL	1
013	66.11111.00	PEDAL COVER CONNECTOR (9005)	1
014	603.06020.86	SCREW DIN933 M6x20	4
015	603.06035.86	SCREW DIN933 M6x35	2
016	101.06000.66	WASHER DIN125 D6	4
017	66.11107.00	ECU MACHINE FUNC.	1
018	711.06000.66	NUT DIN982 M6	2

# 660 80796 - XXX XXXXX

## 11. ELECTRIC INSTALLATION / WIRING (6)

CHASSIS: 85693

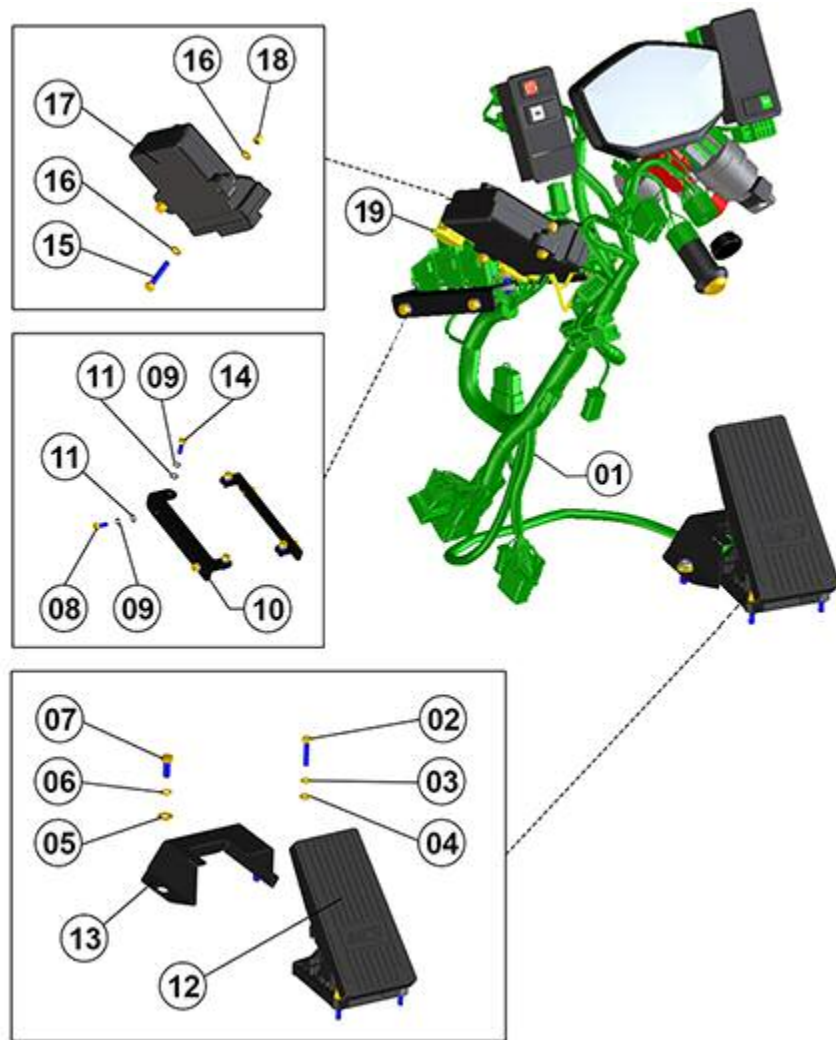


FIGURE	REFERENCE	DENOMINATION	AMOUNT
001	66.11000.02	DASHBOARD WIRING	1
002	601.06030.86	HEXAGON SOCKET HEAD SCREW DIN912 M6x30	4
003	104.06000.00	WASHER DIN7980 D6	4
004	101.06000.66	WASHER DIN125 D6	4
005	101.08000.66	WASHER DIN125 D8	2
006	104.08000.00	WASHER DIN7980 D8	2
007	603.08020.86	SCREW DIN933 M8x20	2
008	603.06015.86	SCREW DIN933 M6x15	4
009	104.06000.00	WASHER DIN7980 D6	4
010	66.08127.00	SUPPORT FUSES (9005)	2
011	101.06000.66	WASHER DIN125 D6	4

012	64.11080.00	DEUTZ THROTTLE PEDAL	1
013	66.11111.00	PEDAL COVER CONNECTOR (9005)	1
014	603.06020.86	SCREW DIN933 M6x20	4
015	603.06035.86	SCREW DIN933 M6x35	2
016	101.06000.66	WASHER DIN125 D6	4
017	66.11107.00	ECU MACHINE FUNC.	1
018	711.06000.66	NUT DIN982 M6	2
019	24.11013.00	STARTING WIRING HARNESS MIDAC+	1

# 660 80796 - XXX XXXXX

## 11. ELECTRIC INSTALLATION / WIRING (6)

CHASSIS: 87161

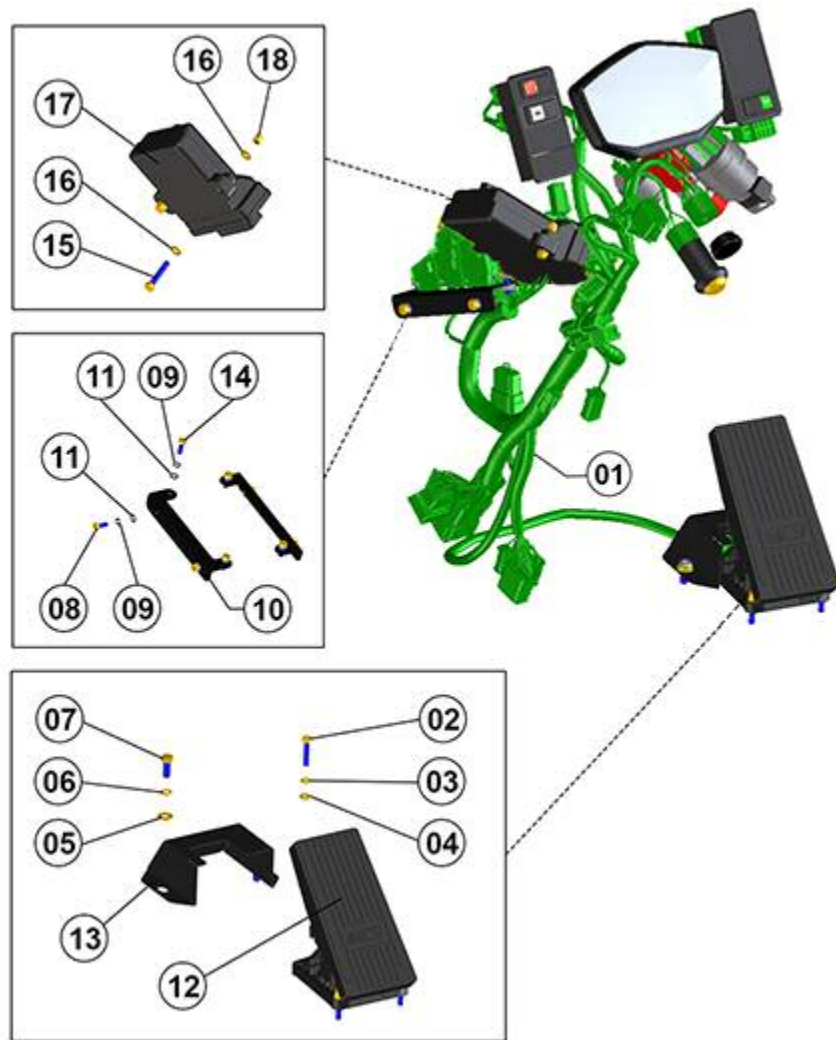


FIGURE	REFERENCE	DENOMINATION	AMOUNT
002	601.06030.86	HEXAGON SOCKET HEAD SCREW DIN912 M6x30	4
003	104.06000.00	WASHER DIN7980 D6	4
004	101.06000.66	WASHER DIN125 D6	4
005	101.08000.66	WASHER DIN125 D8	2
006	104.08000.00	WASHER DIN7980 D8	2
007	603.08020.86	SCREW DIN933 M8x20	2
008	603.06015.86	SCREW DIN933 M6x15	4
009	104.06000.00	WASHER DIN7980 D6	4
010	66.08127.00	SUPPORT FUSES (9005)	2
011	101.06000.66	WASHER DIN125 D6	4
012	64.11080.00	DEUTZ THROTTLE PEDAL	1

013	66.11111.00	PEDAL COVER CONNECTOR (9005)	1
014	603.06020.86	SCREW DIN933 M6x20	4
015	603.06035.86	SCREW DIN933 M6x35	2
016	101.06000.66	WASHER DIN125 D6	4
017	66.11107.00	ECU MACHINE FUNC.	1
018	711.06000.66	NUT DIN982 M6	2

## 660 80796 - XXX XXXXX

### 12. FINISHES / STICKERS (1)

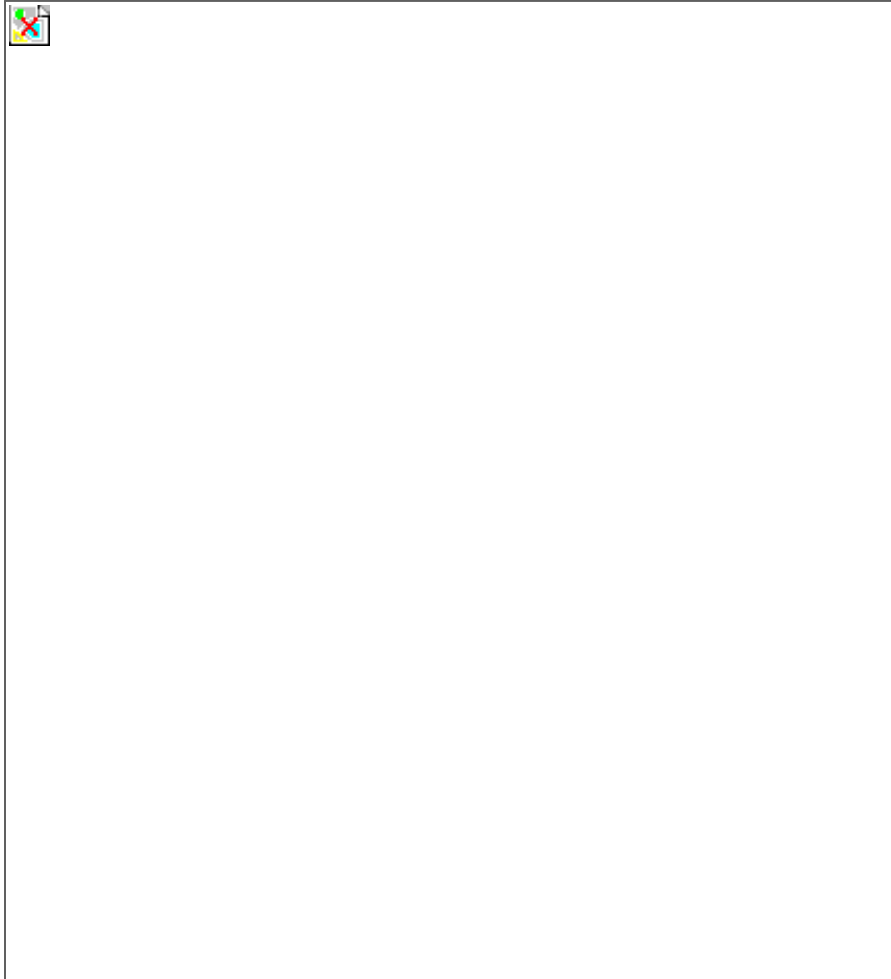


FIGURE	REFERENCE	DENOMINATION	AMOUNT
001	66.12100.01	PLATE 68X345 MOD. D601AHG	2
002	13.12136.02	ADHESIVE, AUSA 720x147	2
003	45.19101.00	PLATE AD. INDI	2
004	43.01356.01	ADH. PLATE IND. DIESEL ULSD 90	1
005	09.00769.00	PLATE AD. INDI	1
006	09.15720.00	PLATE AD. INDI	2
007	70.12018.00	ADHESIVE CONTROLS LEVER	1
008	01.00757.00	PLATE AD. INDI	1
009	60.22350.00	PLATE AD. INDI	2
010	01.12101.01	ADHESIVE PRESSURE 2.5/36/250	2
011	01.12106.01	ADHESIVE PRESSURE 5/74/500	2
012	09.12011.00	ADHESIVE	1
013	48.12026.00	STICKER BOOK INSTRUCTIONS	3



**660 80796 - XXX XXXXX**

**12. FINISHES / STICKERS (1)**

CHASSIS: 86740



FIGURE	REFERENCE	DENOMINATION	AMOUNT
001	66.12100.01	PLATE 68X345 MOD. D601AHG	2
002	13.12136.02	ADHESIVE, AUSA 720x147	2
003	45.19101.00	PLATE AD. INDI	2
004	43.01356.01	ADH. PLATE IND. DIESEL ULSD 90	1
005	09.00769.00	PLATE AD. INDI	1
006	09.15720.00	PLATE AD. INDI	2
007	70.12018.00	ADHESIVE CONTROLS LEVER	1
008	01.00757.00	PLATE AD. INDI	1
009	60.22350.00	PLATE AD. INDI	2
011	66.12070.00	WHEELS PRESSURE STICKER	1
012	09.12011.00	ADHESIVE	1
013	48.12026.00	STICKER BOOK INSTRUCTIONS	3

## 660 80796 - XXX XXXXX

### 12. FINISHES / STICKERS (2)



FIGURE	REFERENCE	DENOMINATION	AMOUNT
001	14.00775.01	PLATE AD. INDI	2
002	02.00773.01	PLATE AD. INDI	1
003	02.00774.00	PLATE AD. INDI	1
004	43.01352.20	PLATE AD. INDI	1
006	02.00764.00	PLATE AD. INDI	1
007	32.12120.00	PLATE AD. INDI. LIFTING POINT	2
008	66.12110.00	INDI. PLATE ROPS 66.08160.01 120x20x0.3	1
009	55.00780.00	PLATE AD. INDI	1
010	01.00779.60	INDI. PLATE 130X100 STANDARD	1

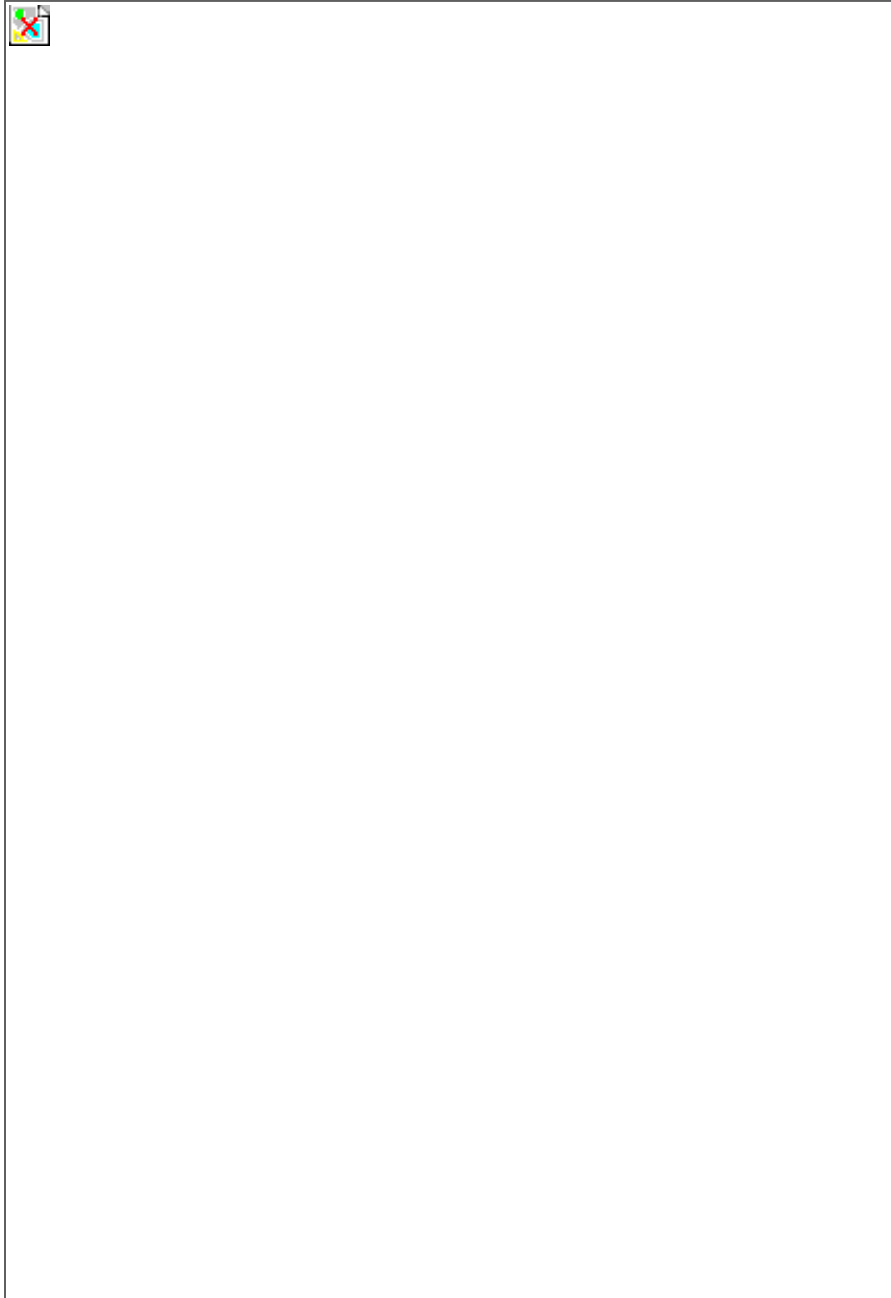
**660 80796 - XXX XXXXX****12. FINISHES / STICKERS (3)**

FIGURE	REFERENCE	DENOMINATION	AMOUNT
001	DZ03123911	MOTOR DEUTZ ADHESIVE	1
002	64.12119.00	STICKER OIL DQC IV 10 LA D	1
003	65.12131.00	STICKER 6000KG MAX	1
004	65.12102.00	STICKER ARCH FOLDED POSITION	1
005	65.12104.00	STICKER ENGINE SHUTDOWN	2
006	65.12103.00	STICKER DISCONNECT	1
007	64.12124.00	DO NOT DISCONNECT STICKER	1



008

64.12130.00

INDI. PLATE GREASING POINTS

1

**660 80796 - XXX XXXXX****12. FINISHES / UK STICKERS**

<b>FIGURE</b>	<b>REFERENCE</b>	<b>DENOMINATION</b>	<b>AMOUNT</b>
001	14.00775.03	PLATE AD. INDI	2
002	02.00773.03	PLATE AD. INDI. 80x180 ENG	1
003	02.00777.12	PLATE AD. INDI (ENGLISH)	1
004	02.00765.00	INDICATIVE STICKER 40x80 HOT PARTS	2
005	55.00780.01	STICKER 60x100 BRAKE	1
006	01.00779.61	PLATE - CONTACT WITH AUSA	1

**660 80796 - XXX XXXXX****13. ACCESSORIES / LIGHTS**

<b>FIGURE</b>	<b>REFERENCE</b>	<b>DENOMINATION</b>	<b>AMOUNT</b>
001	711.04000.66	NUT	4
002	101.04000.66	WASHER DIN125 D4	4
003	66.13001.00	HEADLIGHT SUPPORT RIGHT	1
004	66.11126.00	MULTIFUNCTION LED LIGHT	2
005	601.04020.87	SCREW DIN912 M4x20	4

006	66.11132.00	FRONTAL LIGHT LEFT AND RIGHT	2
007	66.13004.00	PROTECTOR LIGHT SUPPORT	2
008	IM.20026.03	MICRO RELAY WITH DIODE	4
009	66.13002.00	HEADLIGHT SUPPORT LEFT	1
010	02.32035.00	CAP	4
011	104.08000.00	WASHER DIN7980 D8	6
012	603.08020.86	SCREW DIN933 M8x20	6
013	70.11323.01	LIGHTS LEVER SWITCH	1
014	70.11025.00	ADHESIVE FOAM SEALER	1
015	66.11135.00	SWITCH WARNING LED	1
016	66.11127.00	LIGHT REVERSE LED	1
017	66.08014.00	SUPPORT REAR LIGHT AND SENSOR (9005)	1
018	601.04020.87	SCREW DIN912 M4x20	4
019	66.11125.00	MULTIFUNCTION LED LIGHT REAR	2
020	830.00606.00	BRIDA LAZO D6x6	2
021	101.04000.66	WASHER DIN125 D4	4
022	711.04000.66	NUT	4
023	66.11128.00	LED NUMBER PLATE	1
024	711.03000.67	nut Din985 M3	2
025	101.03000.67	WASHER DIN125 D3	2
026	601.03020.86	HEXAGON SOCKET HEAD SCREW DIN912 M3x20	2
027	66.11007.00	WIRE LIGHTS	1
028	603.06025.86	SCREW DIN933 M6x25	2
029	101.06000.66	WASHER DIN125 D6	2
030	66.11136.00	SUPPORT RESISTORS LED (9005)	1
031	66.11130.00	RESISTOR SMART LIGHT LED	1
032	66.08028.00	BULB GUARD FRONTAL LIGHT	2
033	630.08020.96	SCREW ISO7380	4
034	104.08000.00	WASHER DIN7980 D8	2

## 660 80796 - XXX XXXXX

### 13. ACCESSORIES / FVS

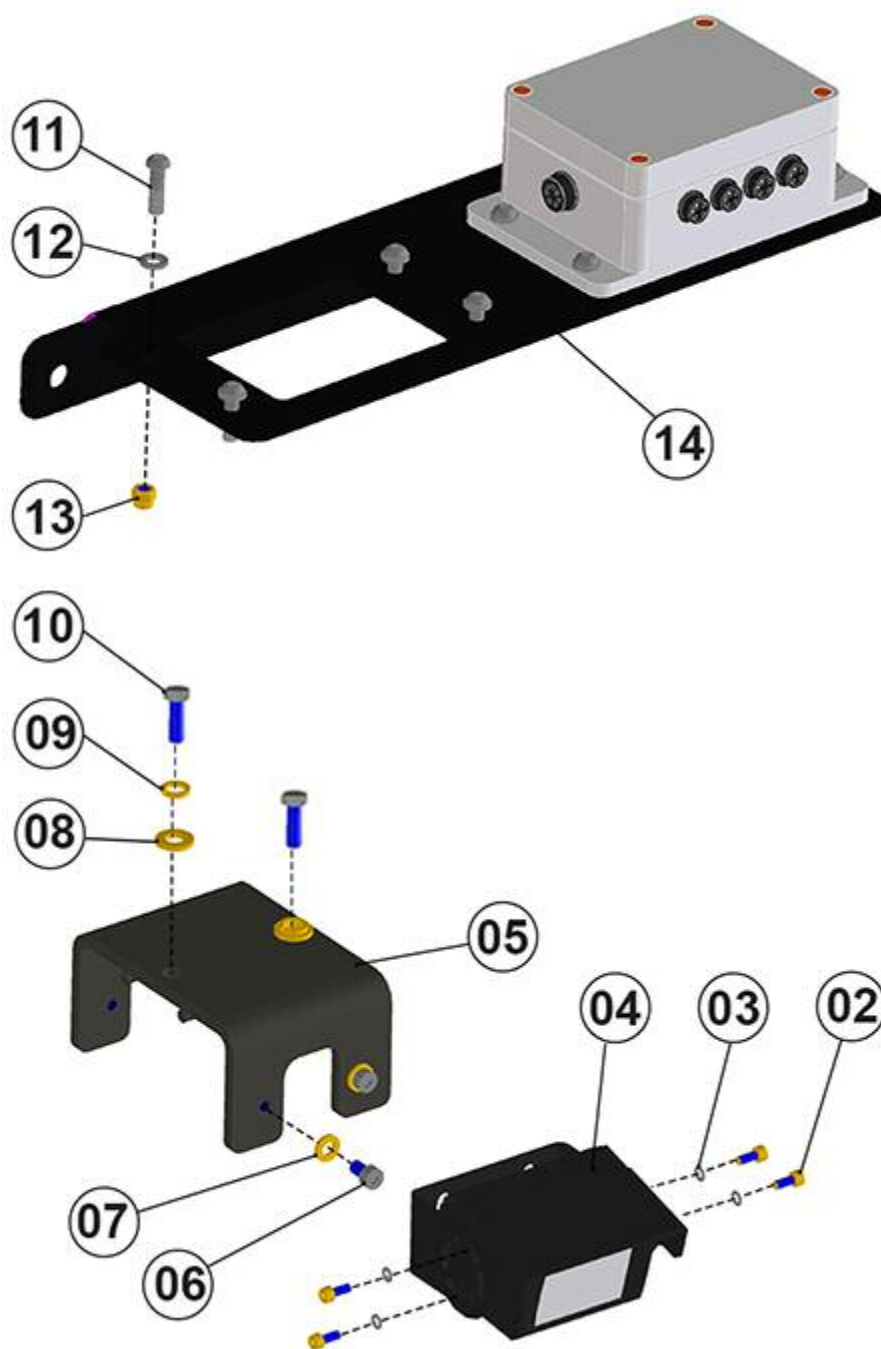


FIGURE	REFERENCE	DENOMINATION	AMOUNT
002	601.04010.87	SCREW	4
003	101.04000.66	WASHER DIN125 D4	4
004	64.11052.00	VISION CAMERA 72X87X75MM	1
005	64.04457.00	CAMERA ATTACHMENT SUPPORT	1
006	601.06010.86	SCREW	2



007	101.06000.67	WASHER DIN125 D6	2
008	101.08000.66	WASHER DIN125 D8	2
009	104.08000.00	WASHER DIN7980 D8	2
010	603.08025.86	SCREW DIN933 M8x25	2
011	630.06025.96	SCREW ISO7380 M6x25	8
012	101.06000.66	WASHER DIN125 D6	8
013	711.06000.66	NUT DIN982 M6	8
014	66.13005.00	ATTACHMENT SUPPORT ELECTRICAL BOX	1

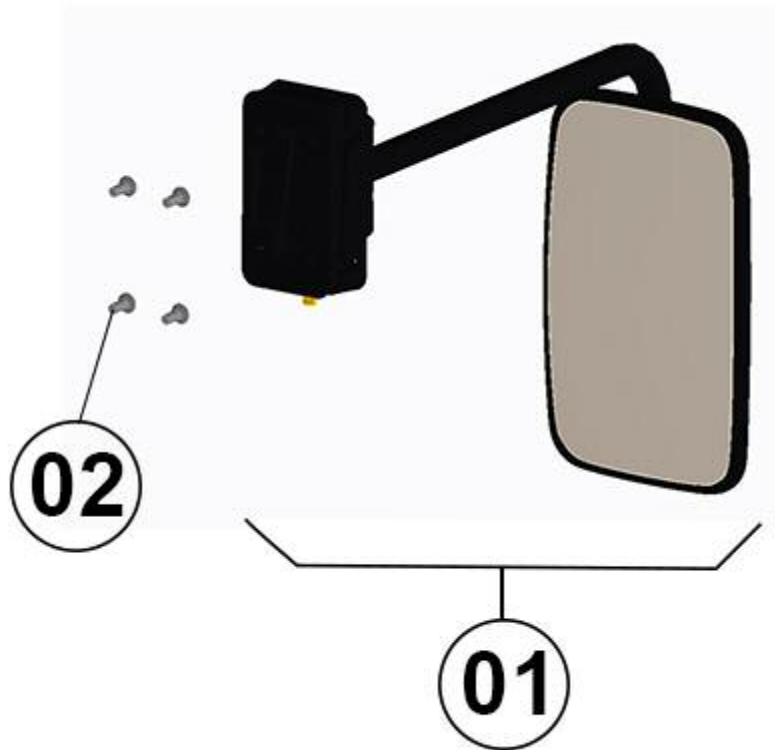
**660 80796 - XXX XXXXX****13. ACCESSORIES / SECOND SIDE MIRROR**

FIGURE	REFERENCE	DENOMINATION	AMOUNT
001	66.08251.00	REAR-VIEW MIRROR	1
002	618.08020.86	SCREW DIN7991 M8x20	4

**660 80796 - XXX XXXXX****13. ACCESSORIES / ROCKINGER TOWING HITCH WITH ELECTRIC TAKE-OFF**

FIGURE	REFERENCE	DENOMINATION	AMOUNT
001	43.50518.00	CONNECTOR	1
002	46.09645.00	TRAILER HITCH	1
003	105.10000.66	WASHER DIN7980 D10	4
004	603.10030.87	SCREW DIN 933 M10x30	4
005	701.05000.66	NUT DIN934 M5x0.8	3
006	601.05025.86	SCREW DIN912 M5X25	3

## 660 80796 - XXX XXXXX

### 13. ACCESSORIES / START STOP



FIGURE	REFERENCE	DENOMINATION	AMOUNT
001	66.11139.00	BATTERY 105AH 950A AGM START STOP	1
002	66.11801.00	BATTERY SUPPORT 406X203X27X3 (9005)	1
003	20.11014.00	BATTERY FUSEBOX COVER	1
004	30.11012.00	SWITCH OFF-0N 1P SWF	1
005	66.11138.00	COVER START STOP SWF 90°	1
015	20.11009.00	BATTERY FUSE BOX	1
016	711.08000.66	NUT DIN982 M8	4
017	66.11114.00	FUSE 100A GENERAL PROTECTOR	1
018	711.05000.66	NUT DIN982 M5	6
019	20.11011.02	FUSE 70A	1
020	13.11109.00	30A FUSE	2

**660 80796 - XXX XXXXX****13. ACCESSORIES / DOCUMENT BOX**

<b>FIGURE</b>	<b>REFERENCE</b>	<b>DENOMINATION</b>	<b>AMOUNT</b>
001	09.12130.00	TOOLBOX 50X280X36 PL	1
002	630.06025.96	SCREW ISO7380 M6x25	4
003	112.06000.66	WASHER DIN9021 D6	4
004	101.06000.66	WASHER DIN125 D6	4
005	711.06000.66	NUT DIN982 M6	4

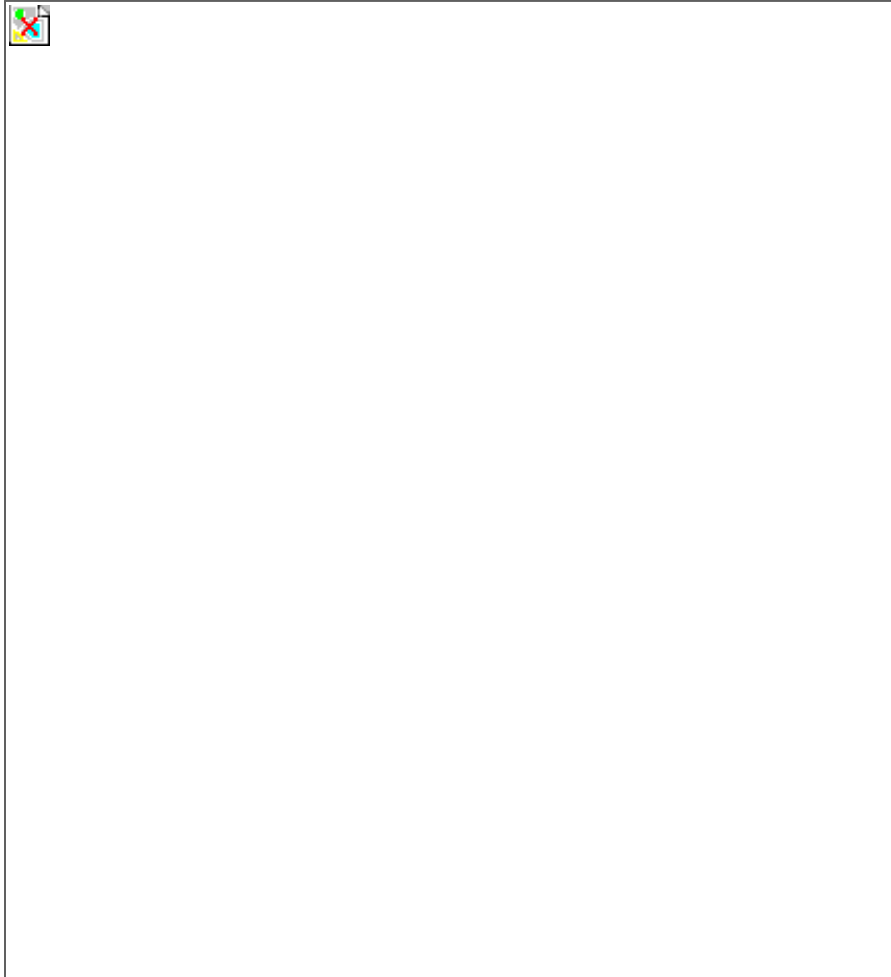
**660 80796 - XXX XXXXX****13. ACCESSORIES / NUMBER PLATE**

FIGURE	REFERENCE	DENOMINATION	AMOUNT
001	16.00760.00	BUSH	1
002	630.08025.96	SCREW ISO7380	2
003	66.13300.00	NUMBER PLATE SUPPORT 250x196x30x1.5 (7022)	1
004	101.08000.66	WASHER DIN125 D8	2
005	711.08000.66	NUT DIN982 M8	2
006	66.11128.00	LED NUMBER PLATE	1
007	615.04020.66	SCREW DIN84	2
008	711.04000.66	NUT	2

**660 80796 - XXX XXXXX****13. ACCESSORIES / GERMANY CIRCULATION REGULATION (1)**

FIGURE	REFERENCE	DENOMINATION	AMOUNT
001	711.04000.66	NUT	4
002	101.04000.66	WASHER DIN125 D4	4
003	66.13001.00	HEADLIGHT SUPPORT RIGHT	1
004	66.11126.00	MULTIFUNCTION LED LIGHT	2
005	601.04020.87	SCREW DIN912 M4x20	4

006	66.11132.00	FRONTAL LIGHT LEFT AND RIGHT	2
007	66.13004.00	PROTECTOR LIGHT SUPPORT	2
008	IM.20026.03	MICRO RELAY WITH DIODE	4
009	66.13002.00	HEADLIGHT SUPPORT LEFT	1
010	02.32035.00	CAP	4
011	104.08000.00	WASHER DIN7980 D8	6
012	603.08020.86	SCREW DIN933 M8x20	6
013	70.11323.01	LIGHTS LEVER SWITCH	1
014	70.11025.00	ADHESIVE FOAM SEALER	1
015	66.11135.00	SWITCH WARNING LED	1
016	66.11127.00	LIGHT REVERSE LED	1
017	66.08014.00	SUPPORT REAR LIGHT AND SENSOR (9005)	1
018	601.04020.87	SCREW DIN912 M4x20	4
019	66.11125.00	MULTIFUNCTION LED LIGHT REAR	2
020	830.00606.00	BRIDA LAZO D6x6	2
021	101.04000.66	WASHER DIN125 D4	4
022	711.04000.66	NUT	4
023	66.11128.00	LED NUMBER PLATE	1
024	711.03000.67	nut Din985 M3	2
025	101.03000.67	WASHER DIN125 D3	2
026	601.03020.86	HEXAGON SOCKET HEAD SCREW DIN912 M3x20	2
027	66.11007.00	WIRE LIGHTS	1
028	603.06025.86	SCREW DIN933 M6x25	2
029	101.06000.66	WASHER DIN125 D6	2
030	66.11136.00	SUPPORT RESISTORS LED (9005)	1
031	66.11130.00	RESISTOR SMART LIGHT LED	1
032	66.08163.00	LIGHT SUPPORT	2
033	630.06025.96	SCREW ISO7380 M6x25	4
034	101.06000.66	WASHER DIN125 D6	4
035	711.06000.66	NUT DIN982 M6	4
036	66.08015.00	SENSOR SUPPORT RIGHT (9005)	1



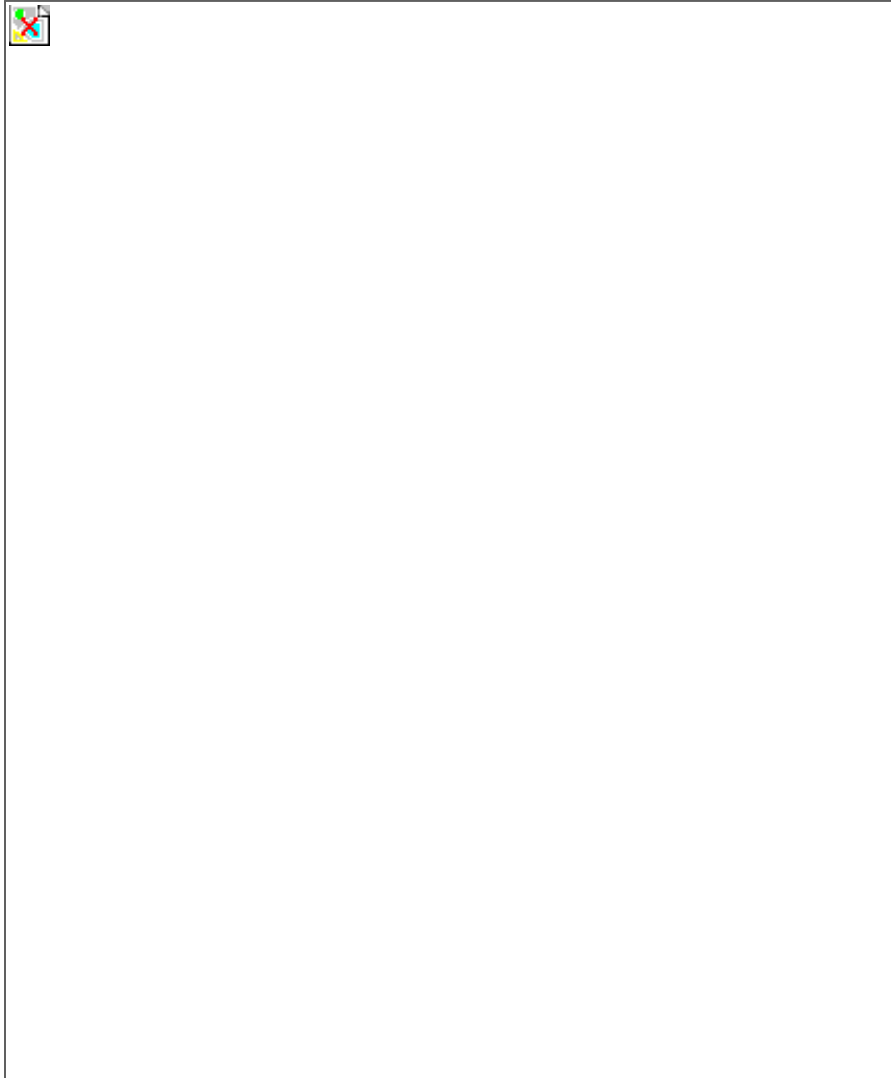
**660 80796 - XXX XXXXX****13. ACCESSORIES / GERMANY CIRCULATION REGULATION (2)**

FIGURE	REFERENCE	DENOMINATION	AMOUNT
001	46.11720.00	STICKER 25KM/H	3
002	39.09901.00	PLATE AD. INDI	3
003	465.14017.00	REFLECTIVE STICKER 140MM	8
004	63.01420.00	WHEEL CHOCK 200X230X475	1
005	101.08000.66	WASHER DIN125 D8	4
006	104.08000.00	WASHER DIN7980 D8	4
007	630.08025.96	SCREW ISO7380	4
008	63.01421.00	SUPPORT WHEEL CHOCK 200X250X290	1

## 660 80796 - XXX XXXXX

### 13. ACCESORY / SENSORS PROXIMITY

CHASSIS: 83395

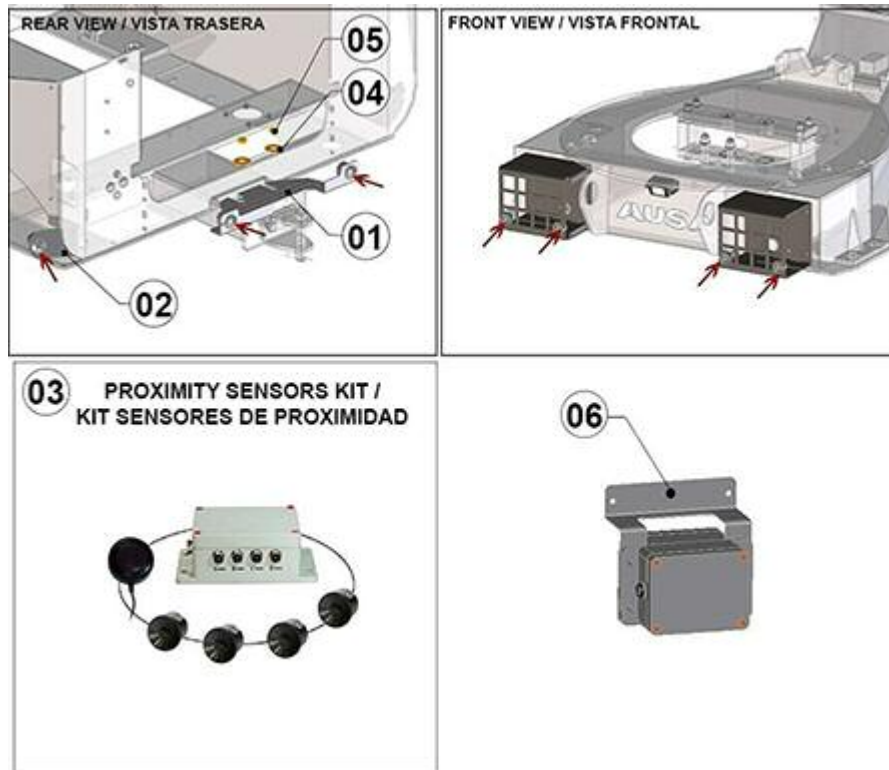


FIGURE	REFERENCE	DENOMINATION	AMOUNT
001	64.13102.00	SENSOR SUPPORT	1
002	64.13101.00	SENSOR SUPPORT	2
003	64.13001.01	PROXIMITY SENSORS KIT	1
003.1	64.11303.00	DEFUSE SPEAKER WIRING HARNESS	1
004	112.14000.67	WASHER 15X45X3 DIN 9021	2
005	702.14000.66	NUT DIN936 M14x2	2
006	64.13103.00	SUPPORT	1

## 660 80796 - XXX XXXXX

### 13. ACCESSORY / SENSORS PROXIMITY

CHASSIS: 86462

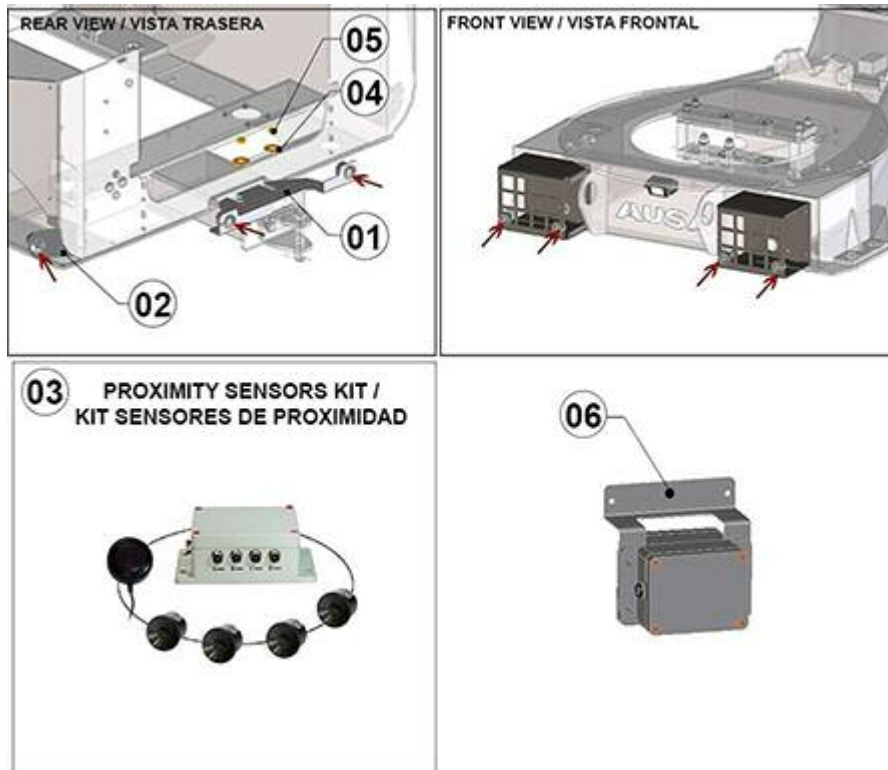


FIGURE	REFERENCE	DENOMINATION	AMOUNT
001	64.13102.00	SENSOR SUPPORT	1
002	64.13101.00	SENSOR SUPPORT	2
003	64.13001.02	PROXIMITY SENSORS KIT	1
003.1	64.11303.01	DEFUSE SPEAKER FVS WIRING HARNESS	1
004	112.14000.67	WASHER 15X45X3 DIN 9021	2
005	702.14000.66	NUT DIN936 M14x2	2
006	64.13103.00	SUPPORT	1

## INDEX

---

### 660 80796 - XXX XXXXX

00. MAINTENANCE / FILTERS SET	2
02. ENGINE (01)	3
02. ENGINE (01) - 86724	4
02. ENGINE / RADIATOR	5
02. ENGINE / RADIATOR (01)	7
02. ENGINE / RADIATOR (01) - 86477	8
02. ENGINE / FUEL TANK	9
02. Air filter	10
02. ENGINE / EXHAUST	11
02. ENGINE / FUEL FILTER	12
03. TRANSMISSION / FIXED FRONT AXLE	13
03. TRANSMISSION / FIXED FRONT AXLE(01)	14
03. TRANSMISSION / FIXED FRONT AXLE(02)	15
03. TRANSMISSION / FIXED FRONT AXLE(03)	16
03. TRANSMISSION / FIXED FRONT AXLE(04)	17
03. TRANSMISSION / FIXED REAR AXLE	18
03. TRANSMISSION /CARDAN	19
03. TRANSMISSION / HYDROSTATIC	20
03. TRANSMISSION / GEAR BOX (1)	21
03. TRANSMISSION / GEAR BOX (2)	22
03. TRANSMISSION / GEAR BOX (3)	23
03. TRANSMISSION / GEAR BOX (4)	24
04. CHASSIS / REAR CHASSIS	25
04. CHASSIS / FRONT CHASSIS	26
05. ACT. BRAKE / FOOT (01)	28
05. ACT. BRAKE / FOOT (01) - 86680	29
05. BRAKE ACTUATING / FOOT (02)	30
06. HYDRAULIC DIRECTION	31
07. WHEELS	32
08. BODYWORK / PROTECTOR	33
08. BODYWORK / RADIATOR PROTECTOR	34
08. BODYWORK / FRONT	35
08. BODYWORK / FRONT - 86806	36
08. BODYWORK /SEAT	37
08. BODYWORK(1)	38

08. BODYWORK / PLATES (1)	39
08. BODYWORK / PLATES (2)	40
08. BODYWORK / PLATES (3)	41
09. MACHINE OPERATION (1)	42
09. MACHINE OPERATION (2)	43
09. MACHINE OPERATION (3)	44
10. HYDRAULIC / CONNECTIONS	45
10. HYDRAULIC TANK	48
10. HYDRAULIC / VALVES	49
10. HYDRAULIC / JOYSTICK	50
10. HYDRAULIC / JOYSTICK - 85629	51
11. ELECTRIC INSTALLATION / BATTERY (1)	52
11. ELECTRIC INSTALLATION / BATTERY (2)	53
11. ELECTRIC INSTALLATION / DASHBOARD	54
11. ELECTRIC INSTALLATION / DASHBOARD - 86806	55
11. ELECTRIC INSTALLATION / WIRING (1)	56
11. ELECTRIC INSTALLATION / WIRING (2)	57
11. ELECTRIC INSTALLATION / WIRING (3)	58
11. ELECTRIC INSTALLATION / WIRING (4)	59
11. ELECTRIC INSTALLATION / WIRING (5)	60
11. ELECTRIC INSTALLATION / WIRING (6)	61
11. ELECTRIC INSTALLATION / WIRING (6) - 85693	62
11. ELECTRIC INSTALLATION / WIRING (6) - 87161	63
12. FINISHES / STICKERS (1)	64
12. FINISHES / STICKERS (1) - 86740	65
12. FINISHES / STICKERS (2)	66
12. FINISHES / STICKERS (3)	67
12. FINISHES / UK STICKERS	68
13. ACCESSORIES / LIGHTS	69
13. ACCESSORIES / FVS	70
13. ACCESSORIES / SECOND SIDE MIRROR	71
13. ACCESSORIES / ROCKINGER TOWING HITCH WITH ELECTRIC TAKE-OFF	72
13. ACCESSORIES / START STOP	73
13. ACCESSORIES / DOCUMENT BOX	74
13. ACCESSORIES / NUMBER PLATE	75
13. ACCESSORIES / GERMANY CIRCULATION REGULATION (1)	76
13. ACCESSORIES / GERMANY CIRCULATION REGULATION (2)	77
13. ACCESORY / SENSORS PROXIMITY - 83395	78
13. ACCESORY / SENSORS PROXIMITY - 86462	79